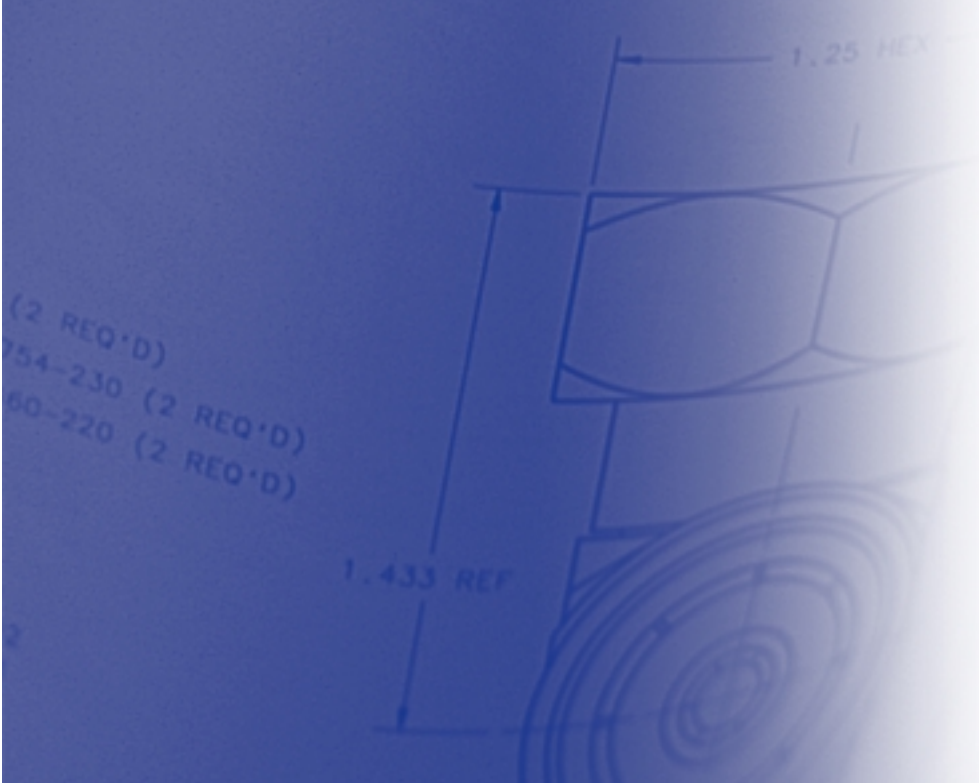


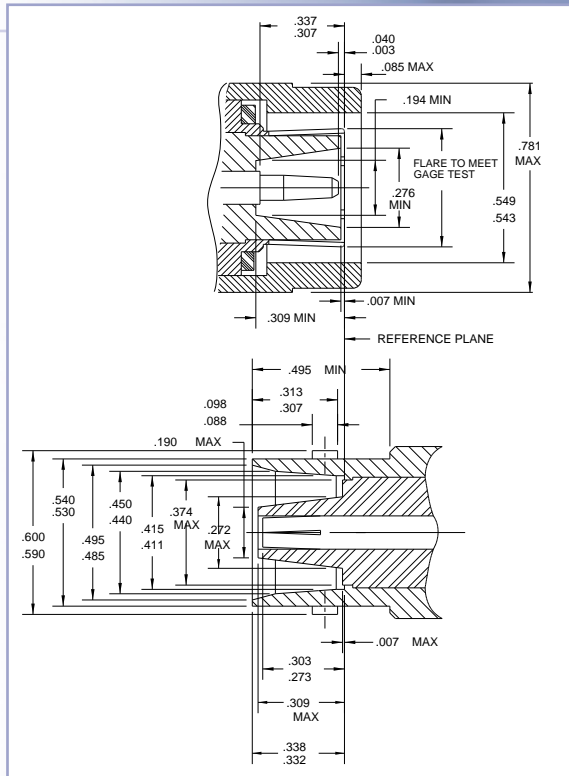


C Series



*The Custom
Interconnect Leader*

C Series



ELECTRICAL

Nominal Impedance: 50 ohms
 Frequency Range: DC to 11 GHz
 Voltage Rating: 1,000 volts rms
 Dielectric Withstanding Voltage: 3,000 volts rms
 Insulation Resistance: 5,000 megohms
 VSWR: 1.35 max DC-11GHz

MECHANICAL

Mating Characteristics: per MIL-STD-348
 Connector Durability: 500 cycles min.
 Cable Attachment: Clamp

ENVIRONMENTAL

Temperature Range: -85°F to +329°F
 (-65°C to +165°C)
 Vibration: MIL-STD-202 Method 204 (Test Cond. B)
 Shock: MIL-STD-202 Method 213 (Test Cond. 1)
 Moisture Resistance: MIL-STD-202 Method 106
 Corrosion (salt spray): MIL-STD-202 Method 101 (Test Cond.B)

MATERIAL / FINISHES

Body: Brass, Silver or Nickel Plated
 Contacts (Inner):
 Female: Beryllium Copper, Silver or Gold Plated
 Male: Brass, Silver or Gold Plated
 Contacts (Outer): Brass, Silver or Nickel Plated
 Beryllium, Silver or Nickel
 Contacts (Slotted): Plated
 Insulators: Teflon
 Gaskets & Seals: Silicone Rubber

Features listed are typical and may vary depending upon cable selection and application.

TRU Corporation offers C Series connectors are high quality 50 ohm designs that operate over a frequency range of DC to 11 GHz with high voltage versions to 2 GHz. We offer a variety of male and female designs for both semi-rigid and various flexible cables. These cable connectors are rigid and various flexible cables. These cable connectors are available in straight, right angle, and bulkhead configurations. A multitude of non-hermetic and hermetic receptacles are also available in panel mount and front or rear mount bulkhead styles. These connectors are manufactured to MIL-C-39012. For leading-edge engineering and custom product designs, look to TRU. Since 1951, we have been providing our customers with quality and cost effective solutions for all of their interconnect applications. We maintain the highest quality standards and manufacture all our products at our modern facility located in Peabody, Massachusetts. Contact your Customer Service Representative today or visit www.trucorporation.com to see why we are "The Custom Interconnect Leader".

Please note that the products displayed are only a sampling of our designs.

Custom connectors can be manufactured to your own specifications.



Build Your Own Connector at www.trucorporation.com



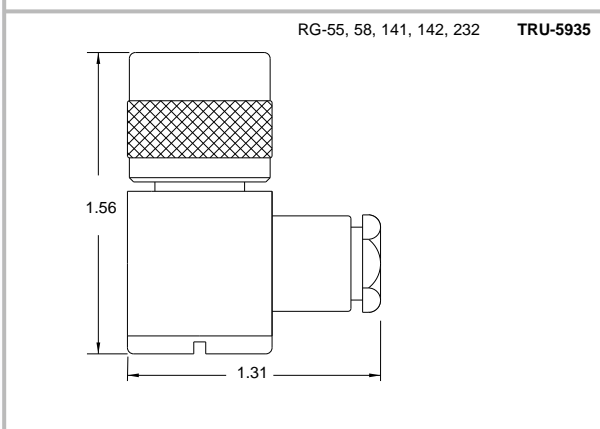
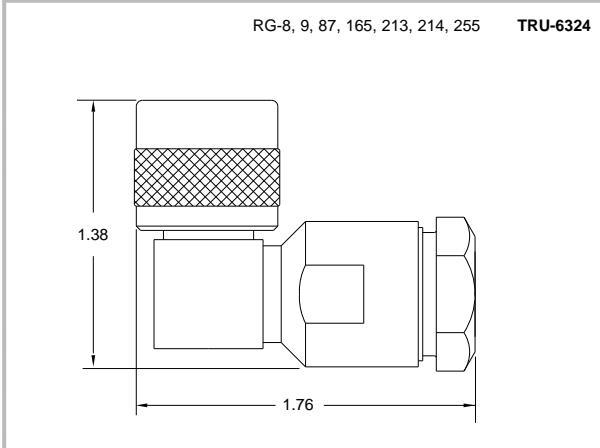
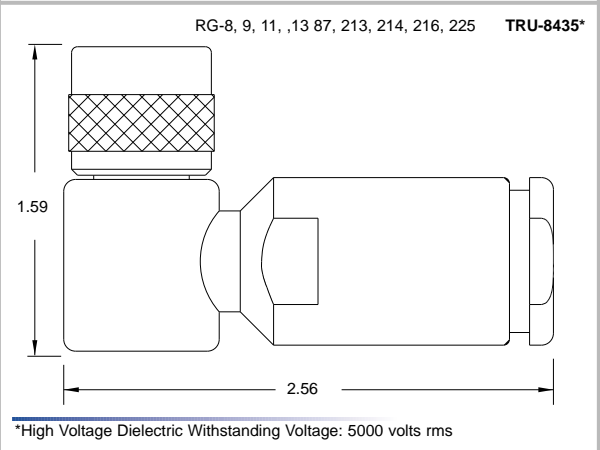
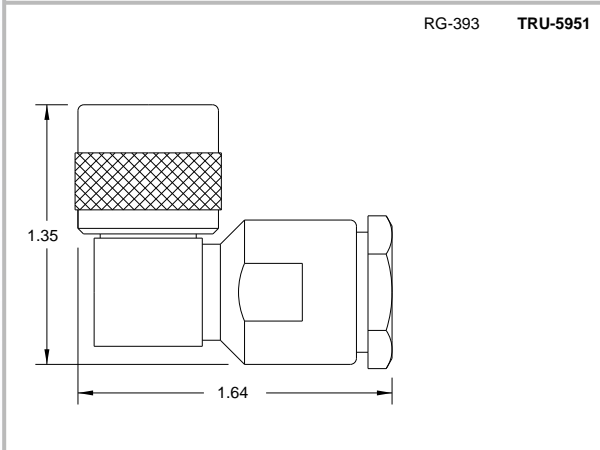
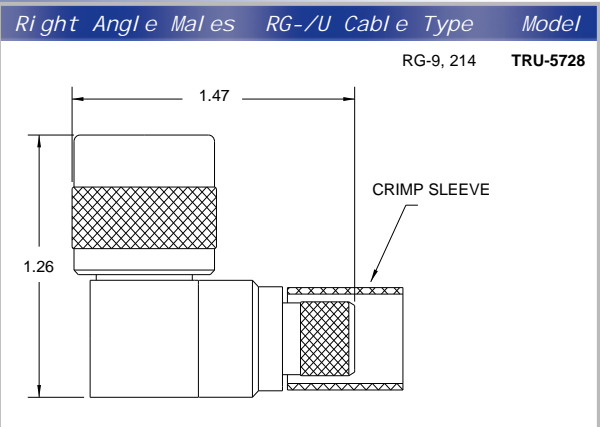
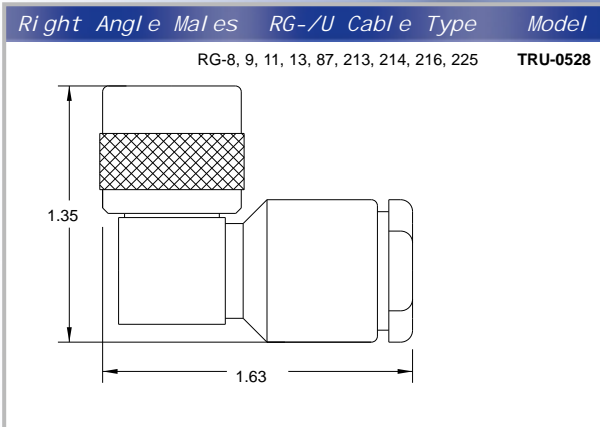
The Custom Interconnect Leader

Straight Males	RG-/U Cable Type	Model
	RG-8,9,87,213,214	TRU-0578
	.325" Semi-Rigid	TRU-5586
	RG-8, 9, 11, 13, 213, 214, 216, 255	TRU-0534*
<p>* High Voltage Dielectric Withstanding Voltage: 5000 volts rms</p>		
	RG-393	TRU-5950

Straight Males	RG-/U Cable Type	Model
	RG-13, 214, 216, 225	TRU-5842
	RG-14, 217	TRU-0532
	RG-293, 374, 384	TRU-0543
	RG-59, 62, 140, 210	TRU-6052



The Custom Interconnect Leader



Custom Design Center

Visit trucorporation.com to use our state of the art, step by step application that will allow you to quickly identify your connector and/or cable assembly requirements and submit them directly to our sales and technical staff for price and delivery.



The Custom Interconnect Leader

Straight Females RG-/U Cable Type *Model*
 RG-8, 9, 11, 13, 87, 213, 214, 216, 225 **TRU-0536**

Bul khead Females RG-/U Cable Type *Model*
 .250" Semi-Rigid **TRU-4767**

RG-14, 217 **TRU-5815**

RG-55, 58, 141, 142, 223, 400 **TRU-4804**

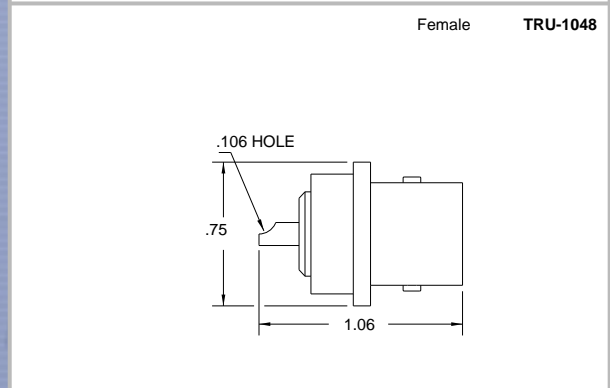
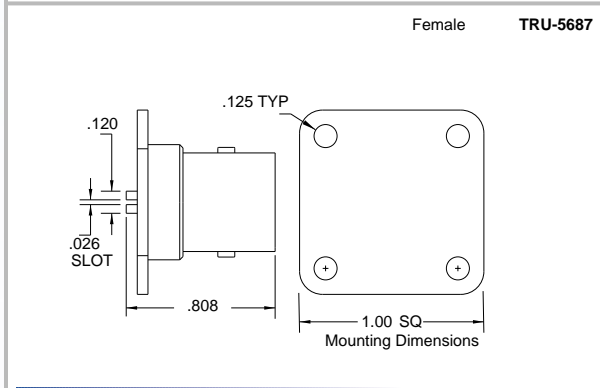
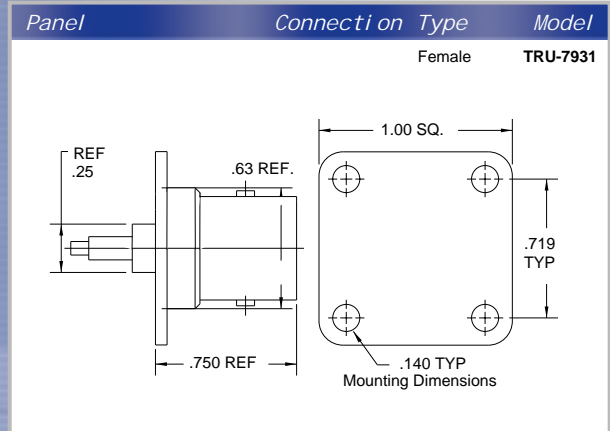
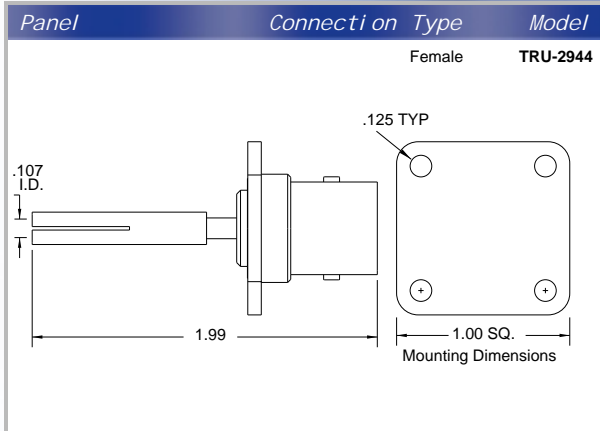
Bul khead Females RG-/U Cable Type *Model*
 RG-8, 9, 11, 13, 87, 213, 214, 216, 225 **TRU-0570**

RG-174, 187, 316 **TRU-5844**

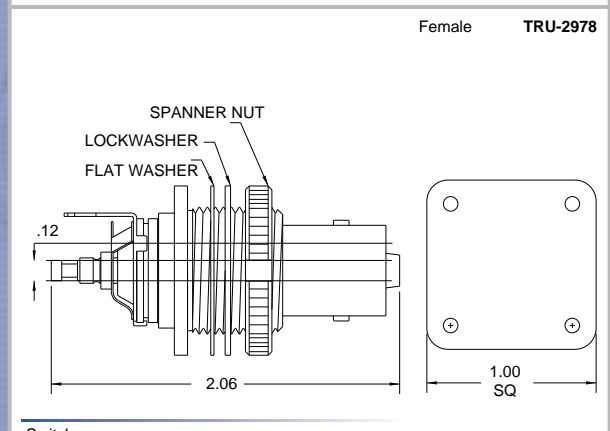
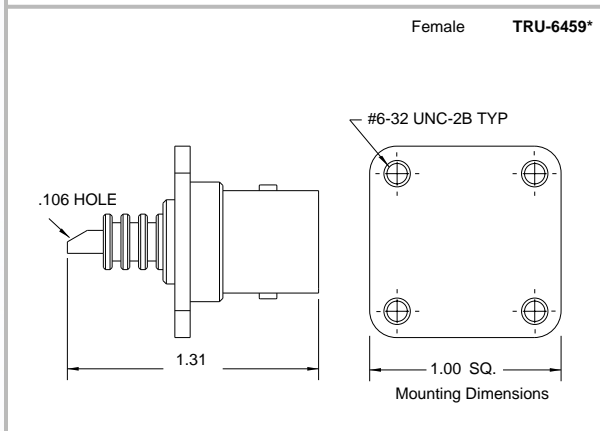
RG-55, 58, 142, 223 **TRU-3773**

RG-55A, 142A, 223, 400 **TRU-8465**

Hermetic Seal

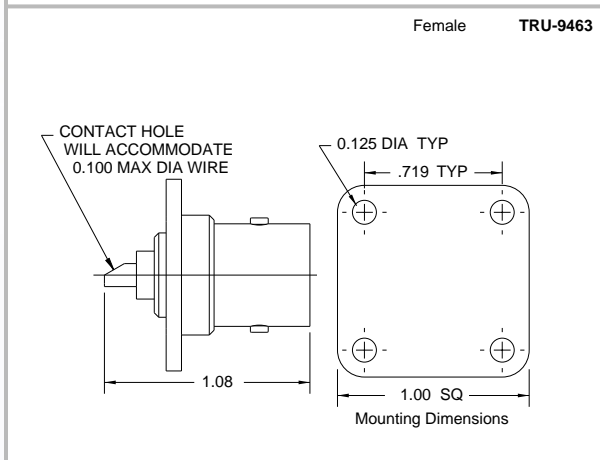


Hermetic Seal



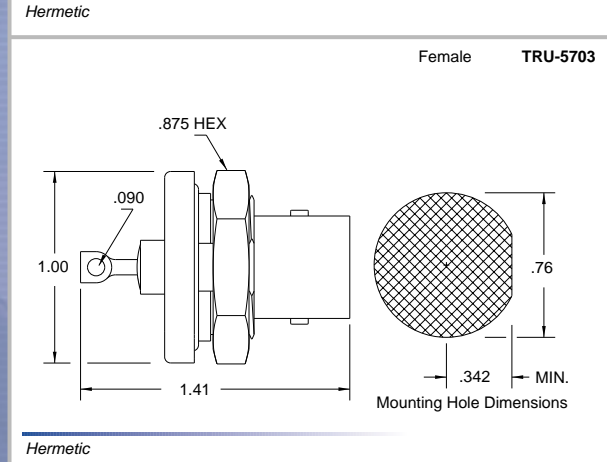
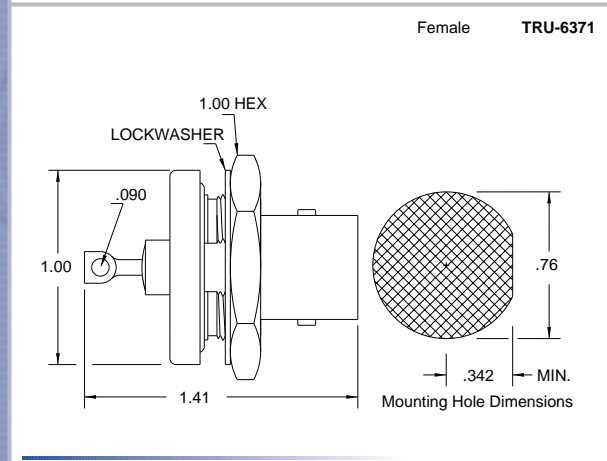
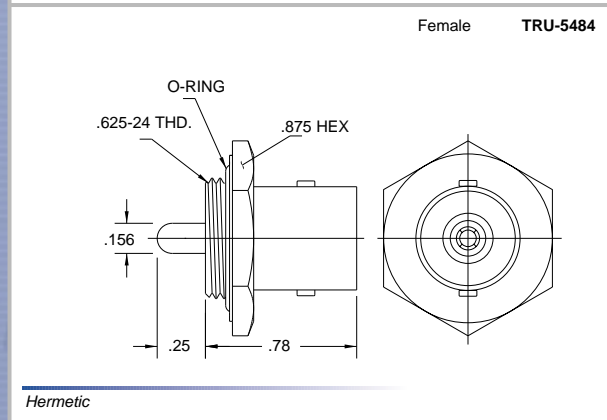
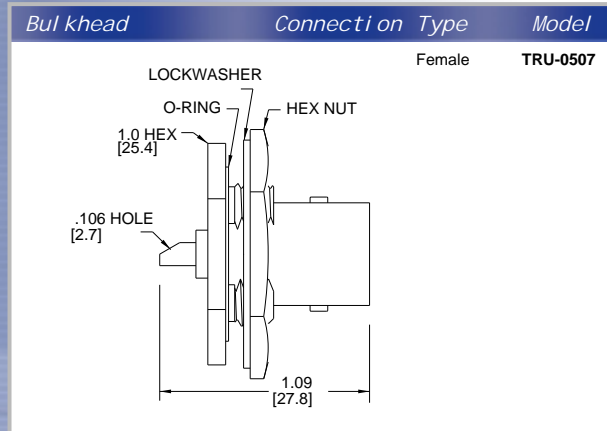
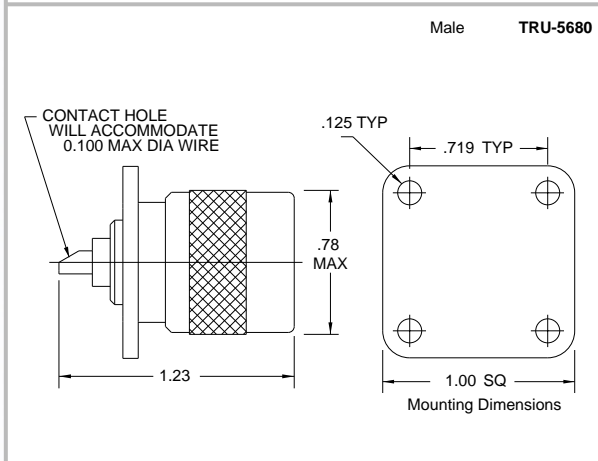
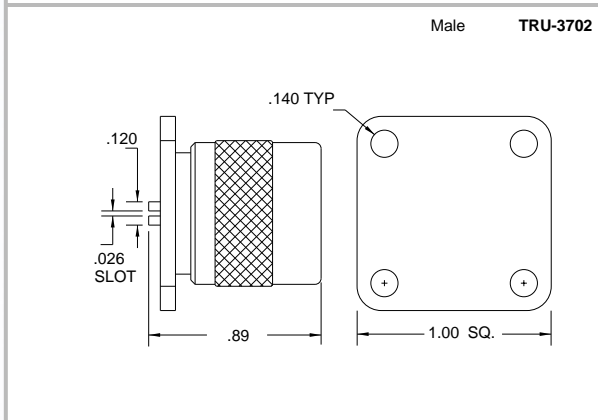
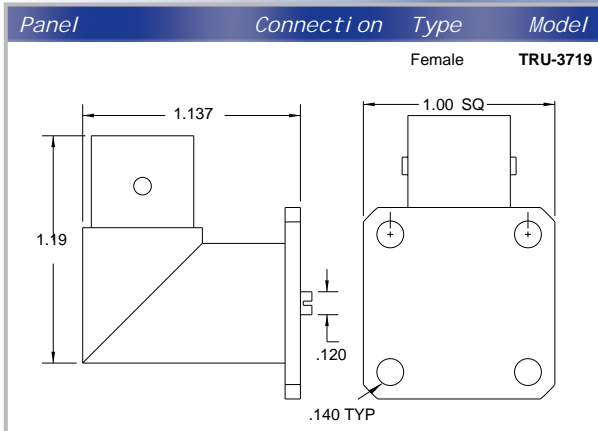
Switch

*High Voltage Dielectric Withstanding Voltage: 5000 volts rms





The Custom Interconnect Leader



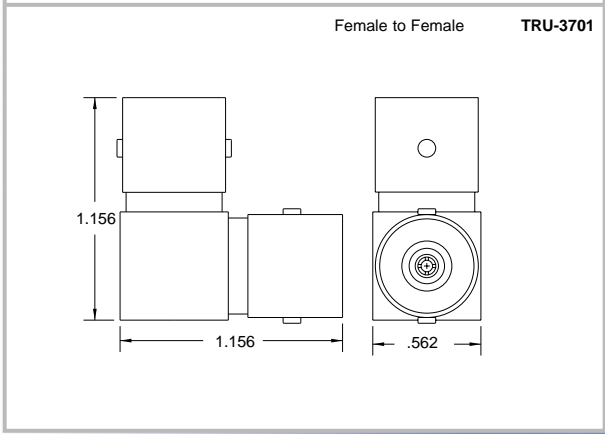
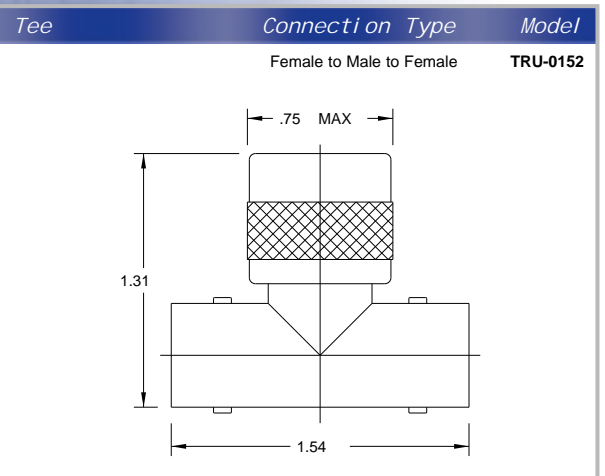
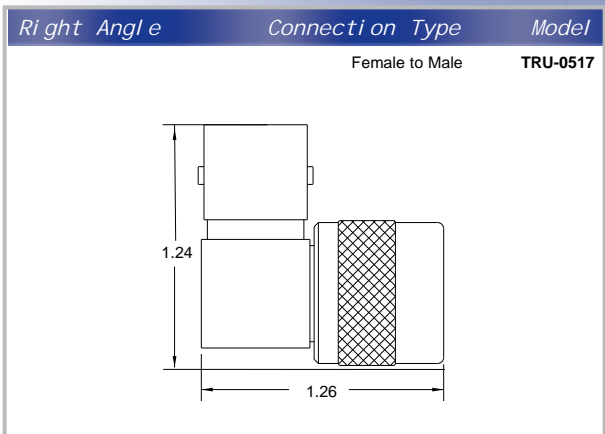
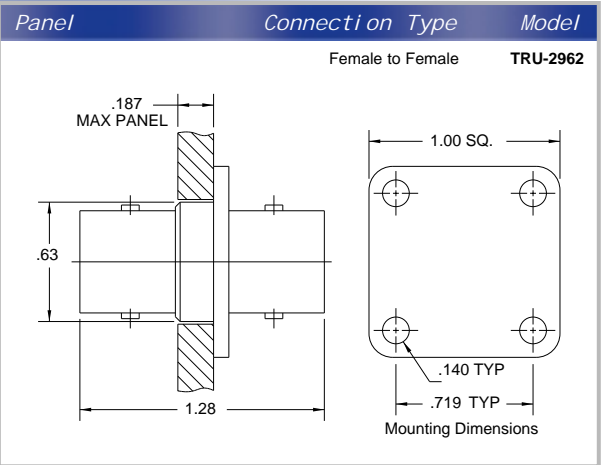
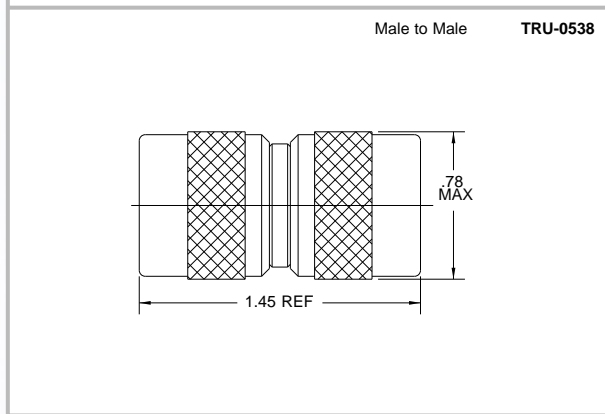
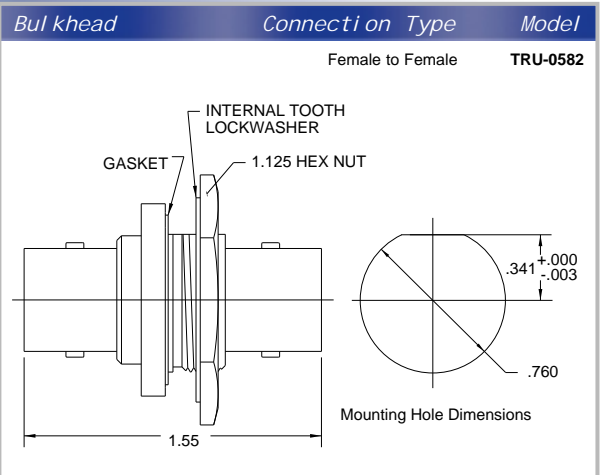
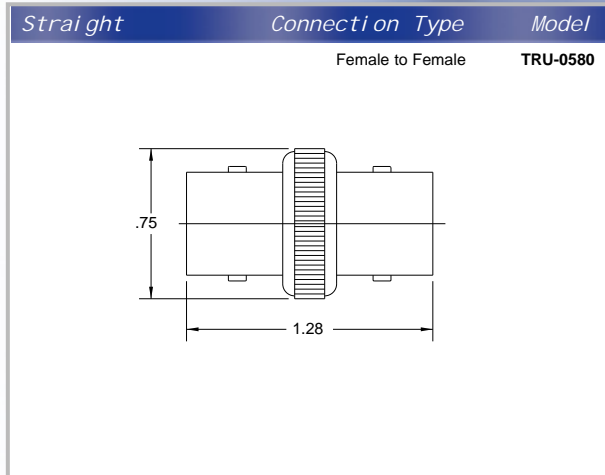
Hermetic

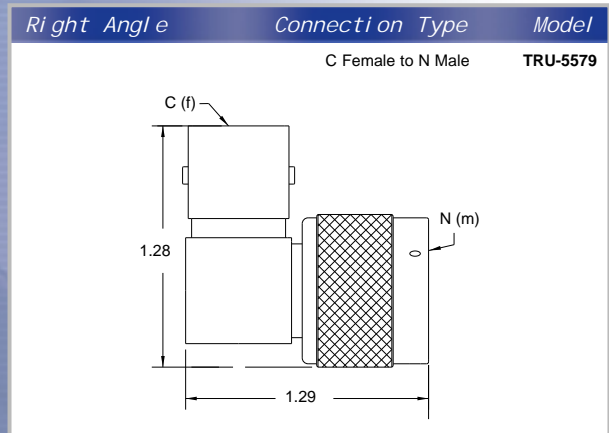
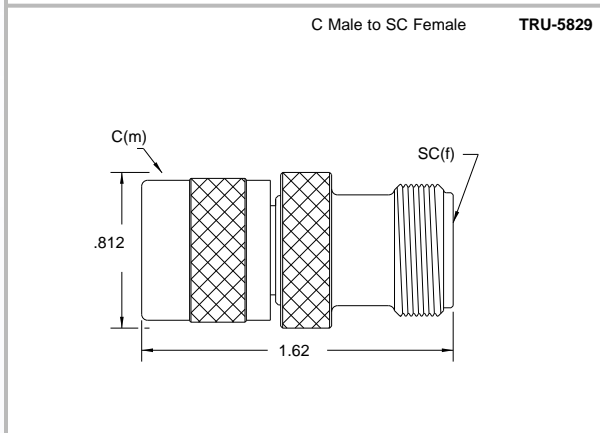
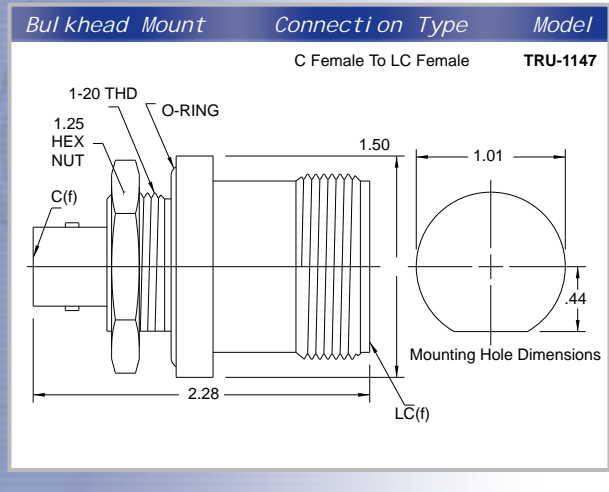
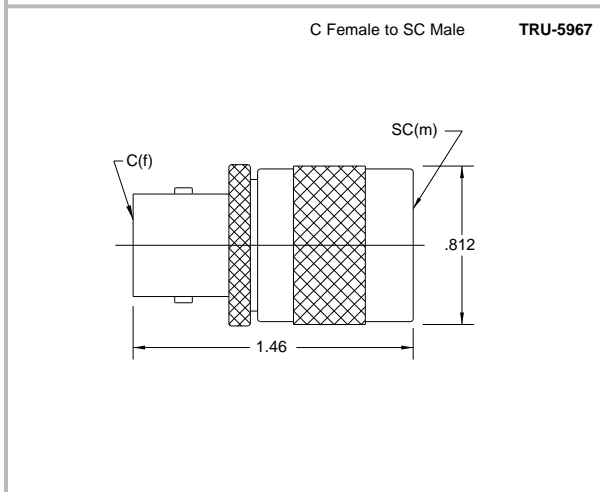
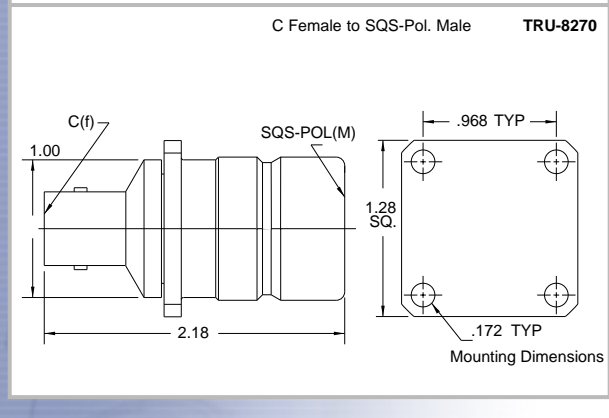
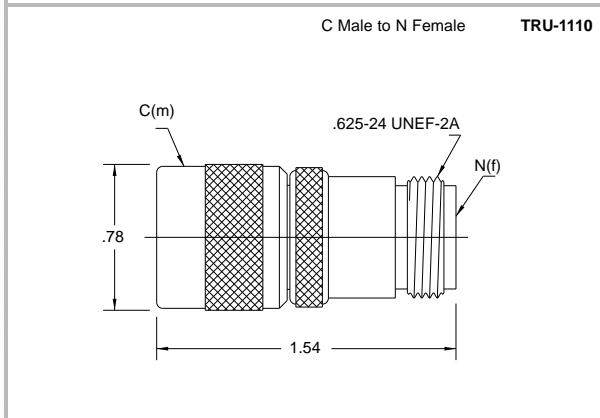
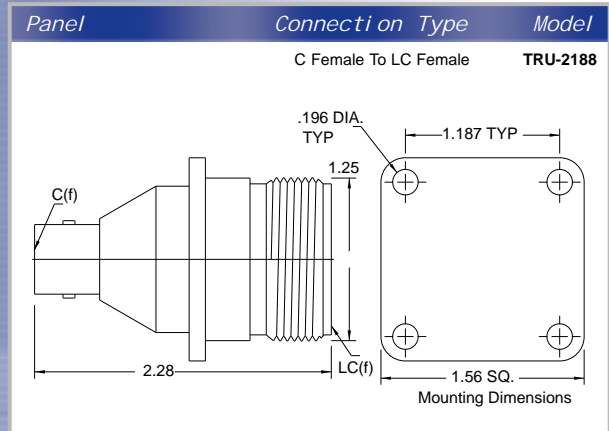
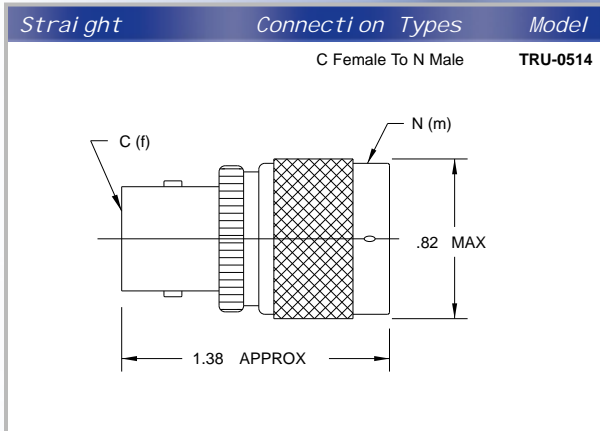
Hermetic

Hermetic



The Custom Interconnect Leader







The Custom Interconnect Leader

Cable Assemblies	Cable Type	Connection type	Model
	RG-217	C Male to C Male	TRU-8324
	RG-214	C Male to C Male	TRU-7682
	RG-217	C Male to C R/A Male	TRU-7789
	RG-214	C Male to C R/A Male	TRU-8323

Caps	Connection type	Model
	Female	TRU-0546
	Male	TRU-0565



The Custom Interconnect Leader

Model	Product	Style	Page
TRU-0152	C In Series Adapter Female to Male to Female	Tee	7
TRU-0507	C Receptacle	Panel	5
TRU-0514	C Between Series Adapter Female to N Male	Straight	8
TRU-0517	C In Series Adapter Female to Male	Right Angle	7
TRU-0528	C Plug	Right Angle	3
TRU-0532	C Plug	Straight	2
TRU-0534	C Plug	Straight	2
TRU-0536	C Jack	Straight	4
TRU-0538	C In Series Adapter Male to Male	Straight	7
TRU-0543	C Plug	Straight	2
TRU-0543	C Plug	Right Angle	3
TRU-0546	C Cap and Chain		9
TRU-0565	C Cap and Chain		9
TRU-0575	C Jack	Bulkhead	4
TRU-0578	C Plug	Straight	2
TRU-0580	C In Series Adapter Female to Female	Straight	7
TRU-0582	C In Series Adapter Female to Female	Bulkhead	7
TRU-1048	C Receptacle	Panel	5
TRU-1110	C Between Series Adapter C Female to N Male	Straight	8
TRU-1147	C Between Series Adapter C Female to LC Male	Bulkhead	8
TRU-2188	C Between Series Adapter C Female to LC Male	Panel	8
TRU-2944	C Receptacle	Panel	5
TRU-2962	C In Series Adapter Female to Female	Panel	7
TRU-2978	C Receptacle	Panel	5
TRU-3701	C In Series Adapter Female to Female	Right Angle	7
TRU-3702	C Receptacle	Panel	6
TRU-3719	C Receptacle	Panel	6
TRU-3773	C Jack	Bulkhead	4
TRU-4767	C Jack	Bulkhead	4
TRU-4804	C Jack	Bulkhead	4
TRU-5484	C Receptacle	Bulkhead	6
TRU-5579	C Between Series Adapter C Female to N Male	Right Angle	8
TRU-5586	C Plug	Straight	2
TRU-5680	C Receptacle	Panel	6
TRU-5687	C Receptacle	Panel	5
TRU-5703	C Receptacle	Bulkhead	6
TRU-5728	C Plug	Right Angle	3
TRU-5815	C Jack	Straight	4
TRU-5829	C Between Series Adapter C Male to SC Male	Straight	8
TRU-5842	C Plug	Straight	2
TRU-5844	C Jack	Bulkhead	4
TRU-5935	C Plug	Right Angle	3
TRU-5950	C Plug	Straight	2
TRU-5951	C Plug	Right Angle	3
TRU-5967	C Between Series Adapter C Female to SC Male	Straight	8
TRU-6052	C Plug	Straight	2
TRU-6324	C Plug	Right Angle	3
TRU-6371	C Receptacle	Bulkhead	6
TRU-6459	C Receptacle	Panel	5
TRU-7682	Cable Assambly C Male to C Male	Straight	9
TRU-7798	Cable Assambly C Male to C R/A Male	Right Angle	9
TRU-7931	C Receptacle	Panel	5
TRU-8270	C Between Series Adapter Female to SQS-Pol. Male	Panel	8
TRU-8323	Cable Assambly C Male to C R/A Male	Right Angle	9
TRU-8324	Cable Assambly C Male to C Male	Straight	9
TRU-8435	C Plug	Right Angle	3
TRU-8465	C Jack	Bulkhead	4
TRU-9463	C Receptacle	Panel	5