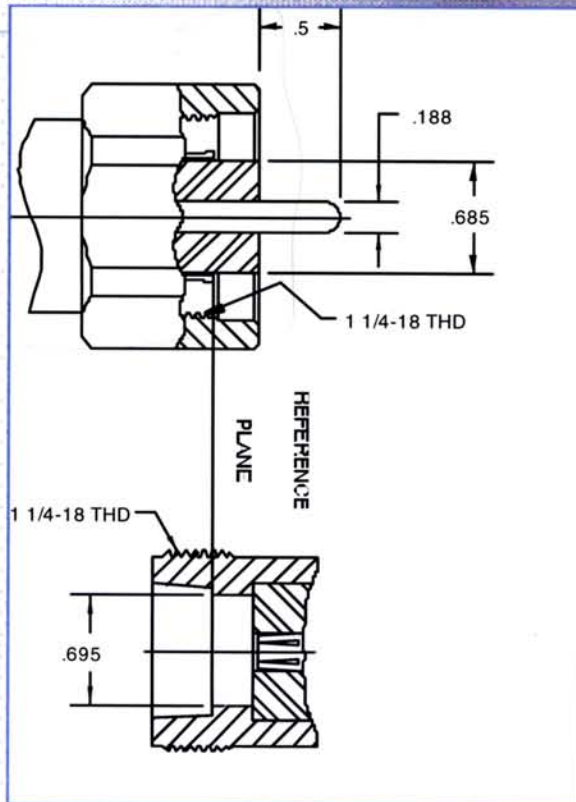




The Custom Interconnect Leader™



TRU Corporation offers LC Series connectors for military and commercial applications. The LC Series are large sized, high voltage, 50 ohm coaxial connectors designed for cable sizes .393" to 1.00". We offer a large range of plugs, jacks, bulkhead or panel receptacles and in-series and between-series adapters. See page 10 for Cable Assemblies manufactured from RG-218/U and RG-393 cable.

For leading-edge engineering and custom product designs, look to TRU. Since 1951, we have been providing our customers with quality and cost effective solutions for all of their interconnect applications. We maintain the highest quality standards and manufacture all our products at our modern facility located in Peabody, Massachusetts. Contact your Customer Service Representative today or visit [www.trucorporation.com](http://www.trucorporation.com) to see why we are "The Custom Interconnect Leader".

Please note that the products displayed are only a sampling of our designs.

ELECTRICAL

Nominal Impedance:	50 ohms
Frequency Range:	DC to 1.0 GHz
Voltage Rating:	3,000 volts rms
Dielectric Withstanding Voltage:	5,000 volts rms
Insulation Resistance:	5,000 megohms
VSWR:	1.15 max DC-1.0 GHz

MECHANICAL

Mating Characteristics:	per MIL-C-3650 or MIL-STD-348
Connector Durability:	500 cycles min.
Cable Attachment:	Clamp

ENVIRONMENTAL

Temperature Range:	-85 F to +329 F (Teflon) (-65 C to +165 C) -85 F to +329 F (Rexolite, Polyethylene) (-65 C to +165 C)
Vibration:	MIL-STD-202 Method 204 (Test Cond. B)
Shock:	MIL-STD-202 Method 213 (Test Cond. I)
Moisture Resistance:	MIL-STD-202 Method 106
Corrosion (salt spray):	MIL-STD-202 Method 101 (Test Cond. B)

Body:	Brass, Silver or Nickel Plated
Contacts (Inner):	
Female:	Beryllium Copper, Silver or Gold Plated
Male:	Brass, Silver or Gold Plated
Contacts (Outer):	Brass, Silver or Nickel Plated Beryllium, Silver or Nickel
Contacts (Slotted):	Plated
Insulators:	Teflon, Rexolite, Polyethylene
Gaskets & Seals:	Silicone Rubber

Please note that bold model numbers represent the product as shown.

Custom connectors can be manufactured to your own specifications.

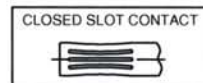
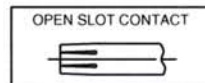


Build Your Own Connector at [www.trucorporation.com](http://www.trucorporation.com)

## Special Features

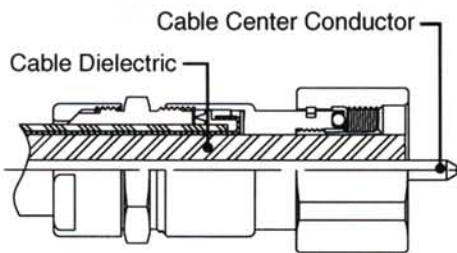
## OPEN SLOT vs. CLOSED SLOT CONTACT

Certain LC Female Connectors are available from Tru-Connector with a closed slot contact. This closed slot center contact eliminates the potential for breakage, which can occur on the open slot contact when the male pin shears a finger from the open slot.

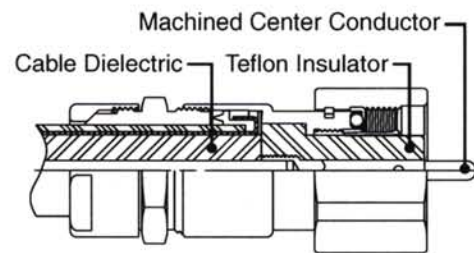


## TRU-4010 vs. TRU-4023

TRU-4010 is an LC cable plug designed for RG-218 cable utilizing the cable dielectric and center conductor as the connector insulator and contact. This requires the assembler to deburr the cable center conductor to avoid damaging an open slot female contact. TRU-4023 is also designed for RG-218 but has a machined center contact and Teflon insulator. This greatly reduces the chance of damaging the female center contact.



TRU-4010



TRU-4023

## HIGH VOLTAGE LC, LARGE LC, AND LT SERIES CONNECTORS

**Large LC Connectors** have a 1 $\frac{3}{4}$ " -16 coupling thread as opposed to the 1 $\frac{1}{4}$ " -18 thread of the standard LC. Tru-Connector offers large LC plugs to fit RG-220/U and RG-221/U type cable as well as female receptacles and between series adapters.

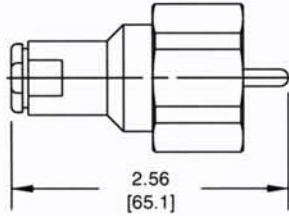
**LT Series Connectors** are similar to but do not mate with LC Series connectors. LT connectors conform to MIL-C-26637 and MIL-STD-348. They are designed for use with RG-117/U and RG-118/U type cables.

**High Voltage LC Connectors** are the same size as standard LC connectors (1 $\frac{1}{4}$ " -18 coupling thread) but have a counter bored dielectric creating a longer voltage break down path. High voltage LC connectors have a voltage rating of 10,000 volts RMS. LC-HV connectors are available as Plugs, Jacks, Receptacles, In and Between Series Adapters.



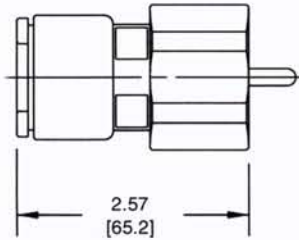
The Custom Interconnect Leader™

Straight	RG-/U Cable Type	Model
Captive Contact	8, 9, 31, 87A, 165, 213, 214, 225	<b>TRU-4303</b>
Captive Contact	393	TRU-6398
Captive Contact	226	TRU-5868



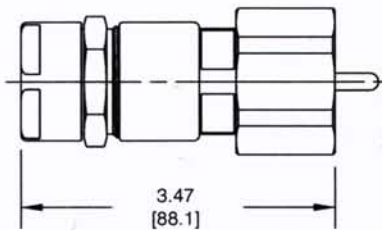
Cable Attachment: Clamp

Captive Contact	117, 211	<b>TRU-2954</b>
-----------------	----------	-----------------



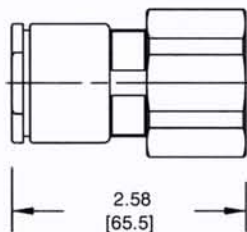
Cable Attachment: Clamp

Captive Contact	18, 219	<b>TRU-4023</b>
-----------------	---------	-----------------



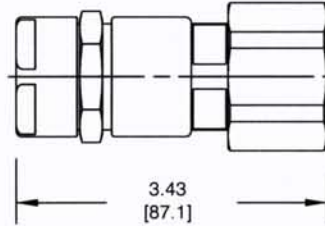
Cable Attachment: Armor Clamp

Cable is used as center conductor and insulator	17, 177, 218, 295	<b>TRU-4018</b>
---	-------------------	-----------------



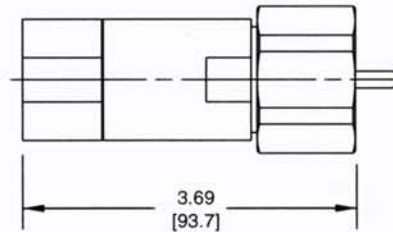
Cable Attachment: Clamp

Straight	RG-/U Cable Type	Model
Cable is used as center conductor and insulator	18, 219	<b>TRU-4010</b>



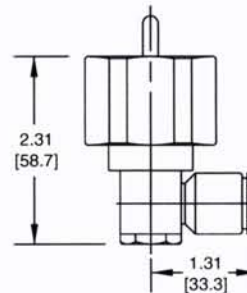
Cable Attachment: Armor Clamp

Captive Contact	Andrews LDF5 <sup>®</sup> -50A Times LMR <sup>®</sup> -900	<b>TRU-6642</b> TRU-8534
-----------------	---	-----------------------------



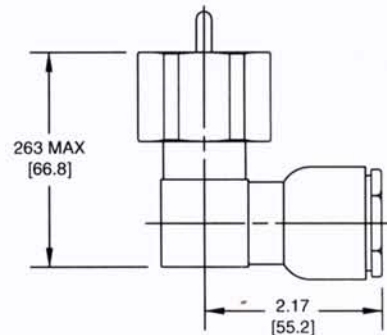
Cable Attachment: Clamp

Right Angle	RG-/U Cable Type	Model
	226	<b>TRU-6070</b>
	8, 9, 31, 87A, 165, 213, 214, 225	TRU-3723
	393	TRU-8288



Cable Attachment: Clamp

	17, 177, 218, 295	<b>TRU-2476</b>
--	-------------------	-----------------



Cable Attachment: Clamp



The Custom Interconnect Leader™

Straight	RG-U Cable Type	Model
	8, 9, 31, 87A, 165, 213, 214, 225	TRU-3928

Cable Attachment: Clamp

Panel	RG-U Cable Type	Model
Captive Contact	8, 9, 31, 87A, 165, 213, 214, 225	TRU-6226
Captive Contact	393	TRU-8289

Cable Attachment: Clamp

Captive Contact	8, 9, 31, 87A, 165, 213, 214, 225	TRU-6225
-----------------	-----------------------------------	----------

Cable Attachment: Clamp

(Polyethylene Insulator)	8, 9, 31, 87A, 165, 213, 214, 225	TRU-5625
--------------------------	-----------------------------------	----------

Cable Attachment: Clamp

	17, 177, 218, 295	TRU-4708
--	-------------------	----------

Cable Attachment: Clamp

	17, 177, 218, 295	TRU-2890
--	-------------------	----------

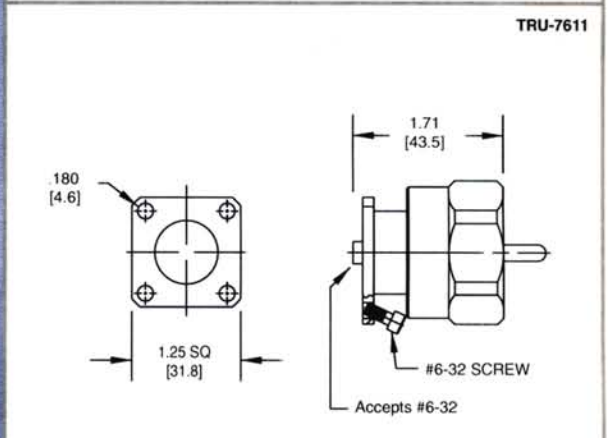
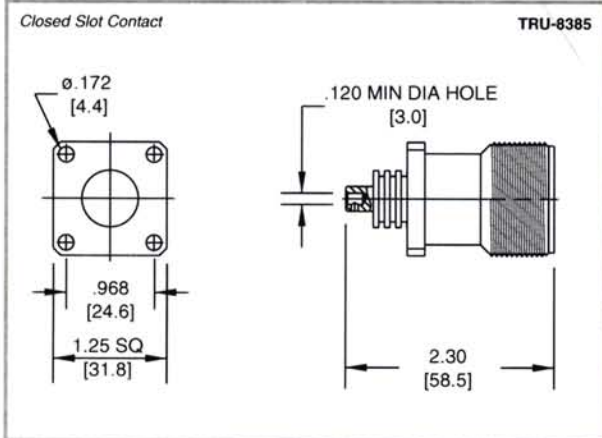
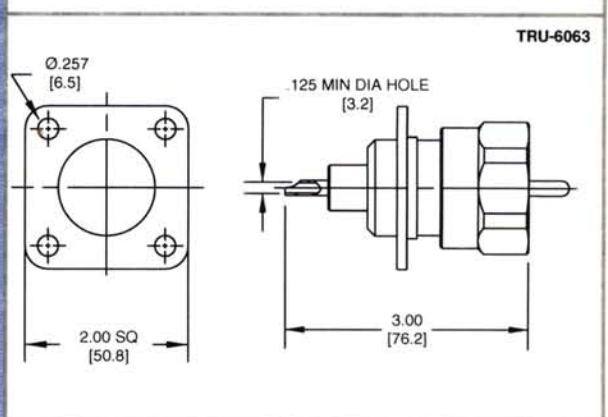
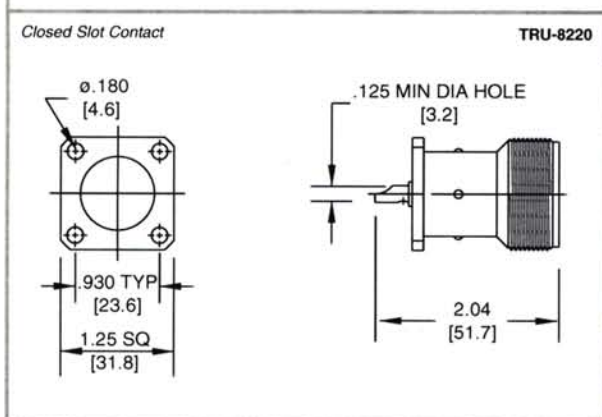
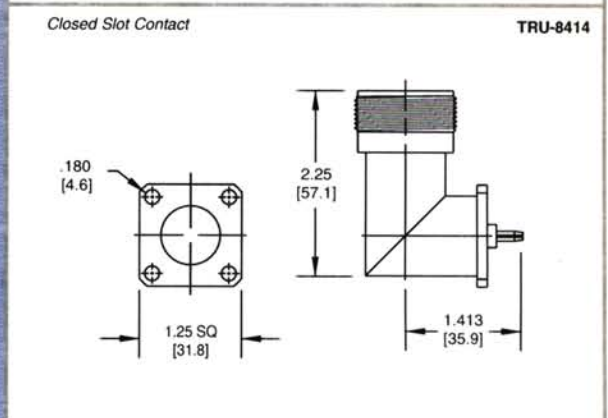
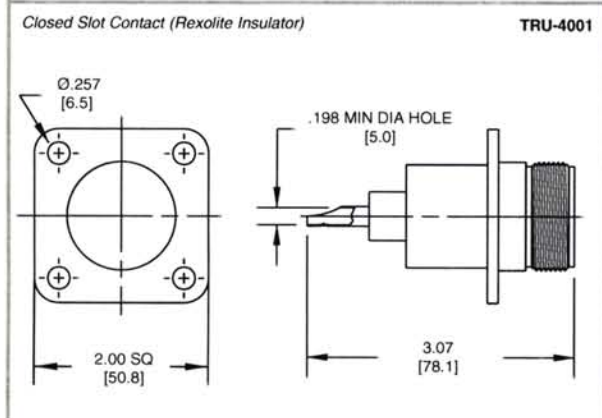
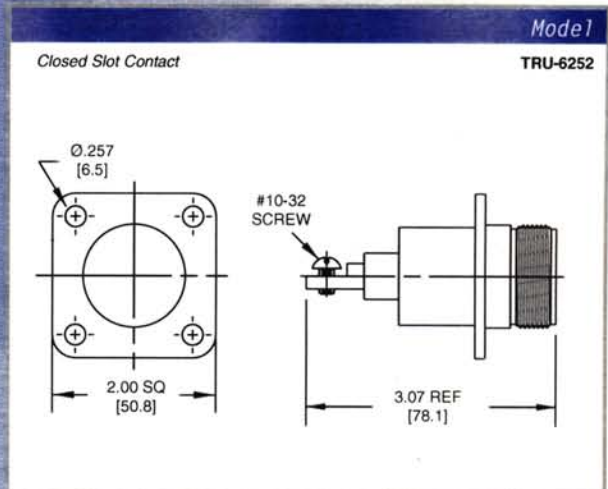
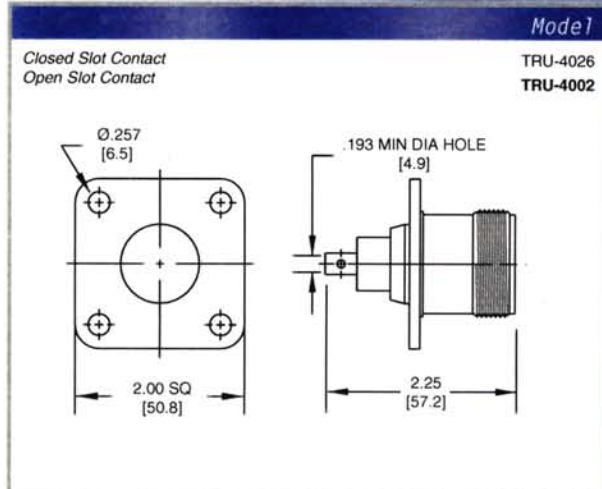
Cable Attachment: Clamp

Clamp Types

Armor Clamp      Improved Clamp      Solder Clamp

	8, 9, 31, 87A, 165, 213, 214, 225	TRU-3891
	401(.250 S/R)	TRU-5465

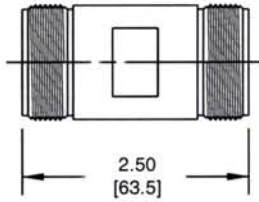
Cable Attachment: Clamp (3891) Solder Clamp (5465)



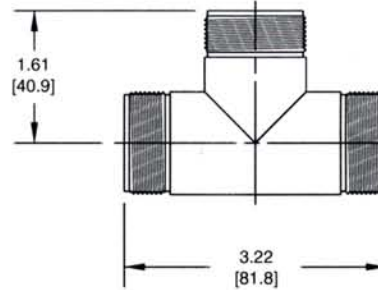


The Custom Interconnect Leader™

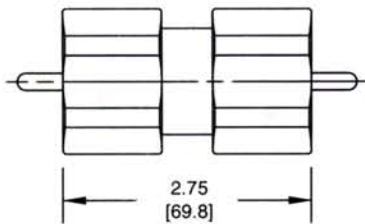
<i>Straight</i>	<i>Connection Type</i>	<i>Model</i>
(Polyethylene Insulator)	Female to Female Female to Female	TRU-6253 TRU-4021



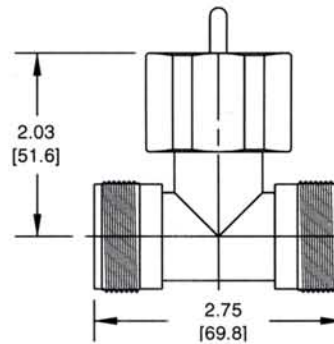
<i>Tee</i>	<i>Connection Type</i>	<i>Model</i>
	Female to Female to Female	TRU-2477



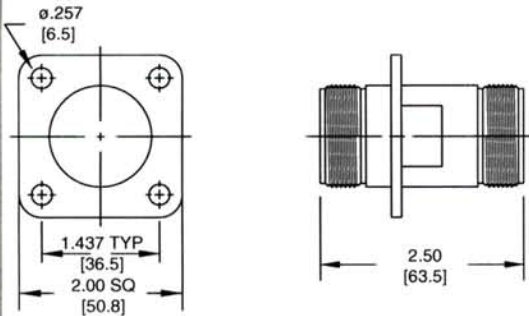
Male to Male	TRU-4914
--------------	----------



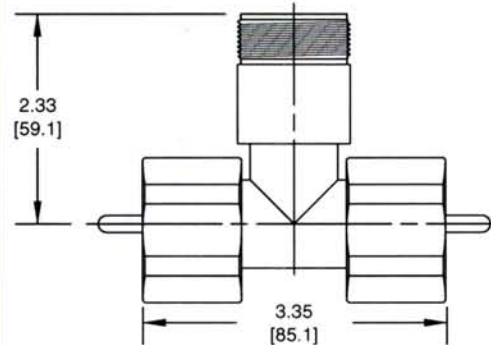
(Polyethylene Insulator)	Female to Male to Female	TRU-2405
--------------------------	--------------------------	----------



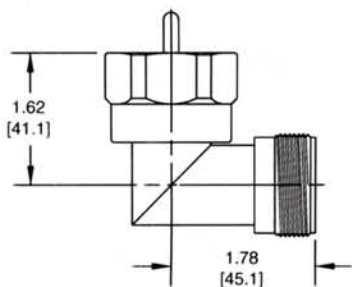
<i>Straight Panel</i>	<i>Connection Type</i>	<i>Model</i>
(Polyethylene Insulator)	Female to Female	TRU-4003



(Polyethylene Insulator)	Male to Female to Male	TRU-4975
--------------------------	------------------------	----------

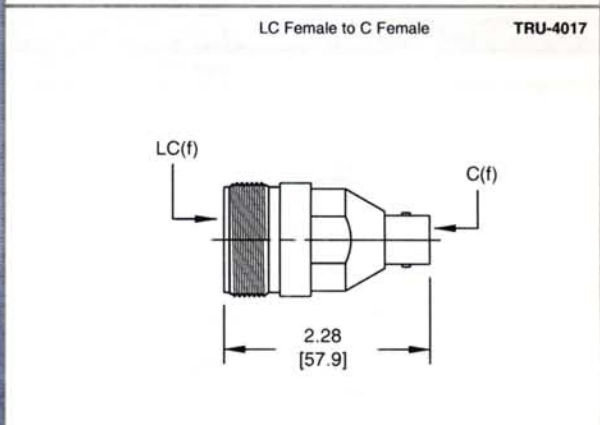
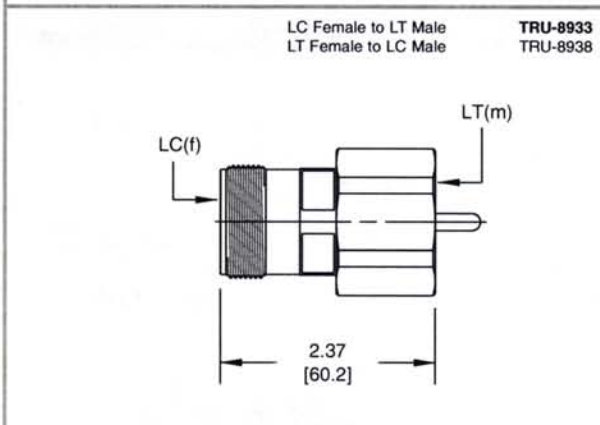
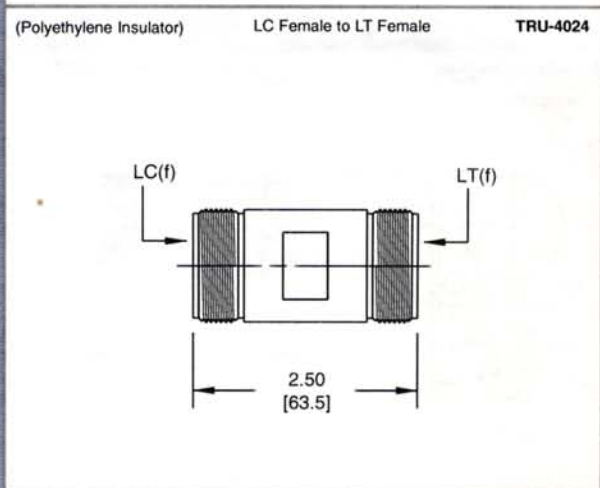
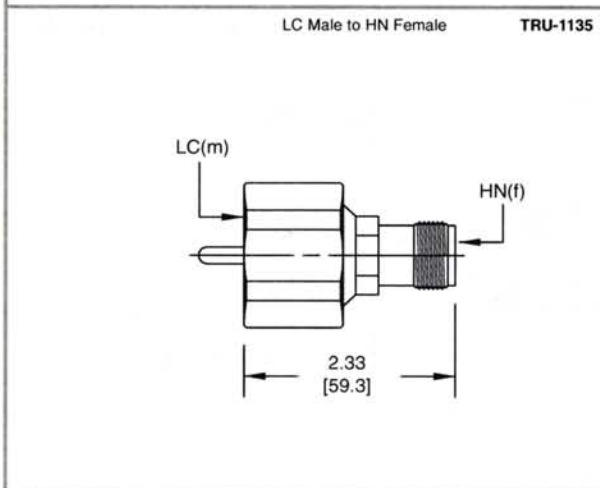
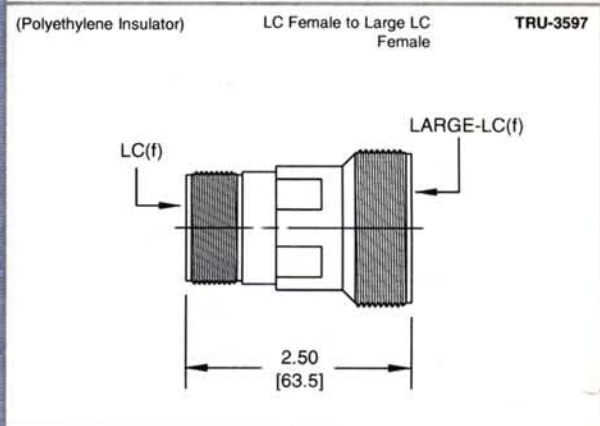
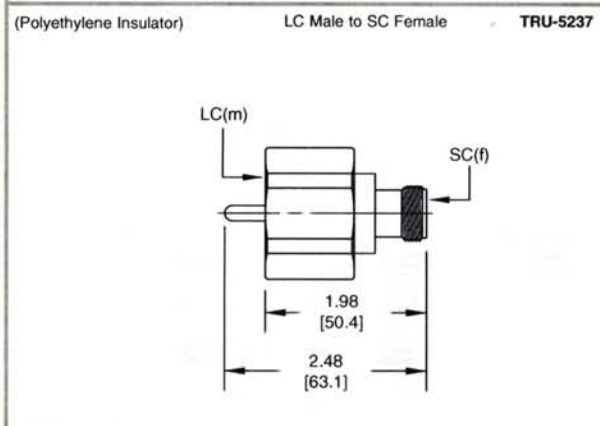
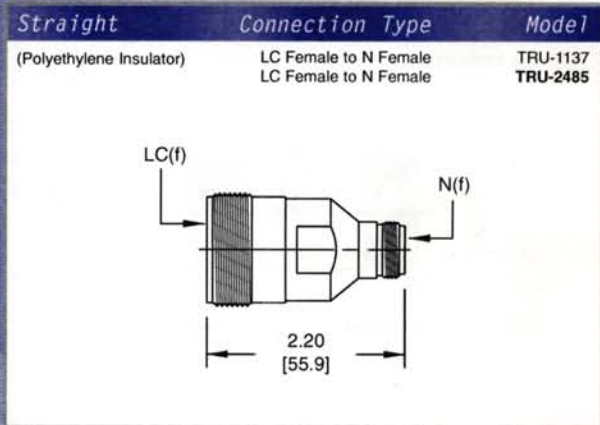
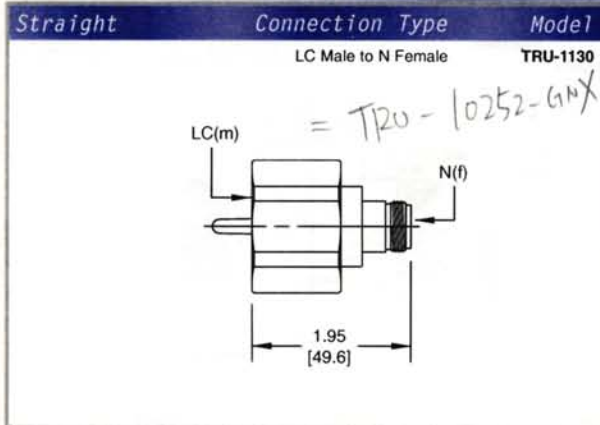


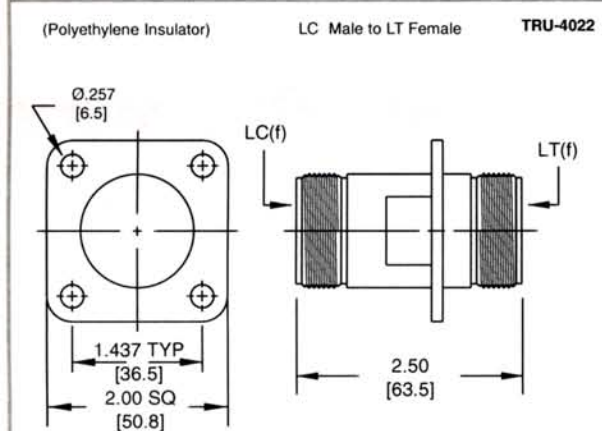
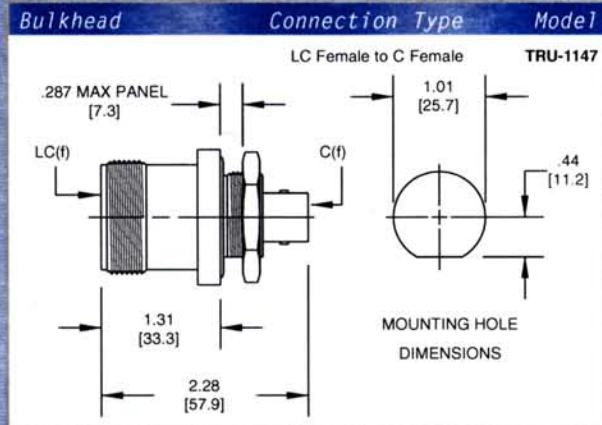
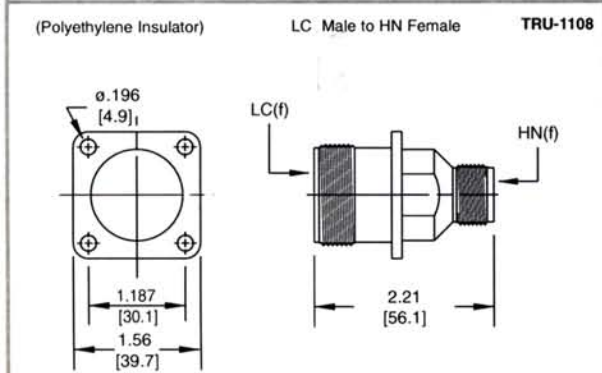
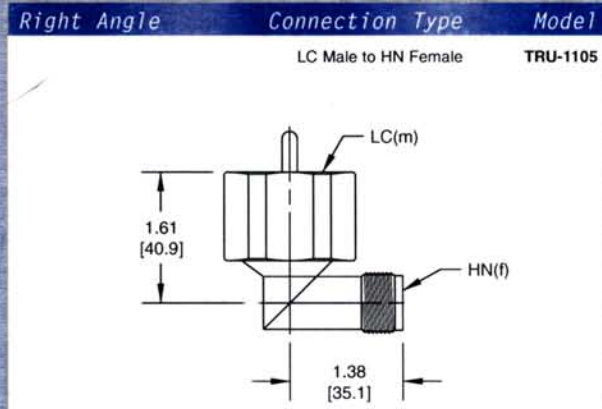
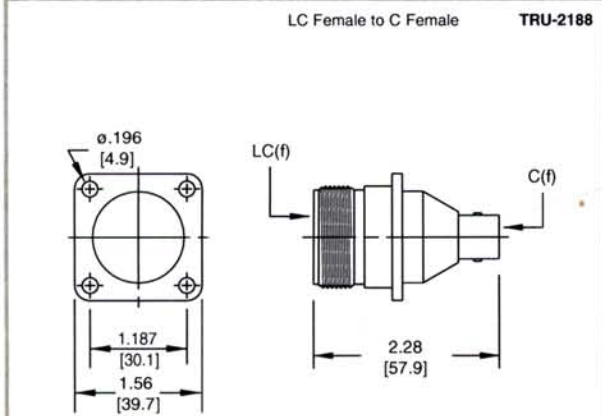
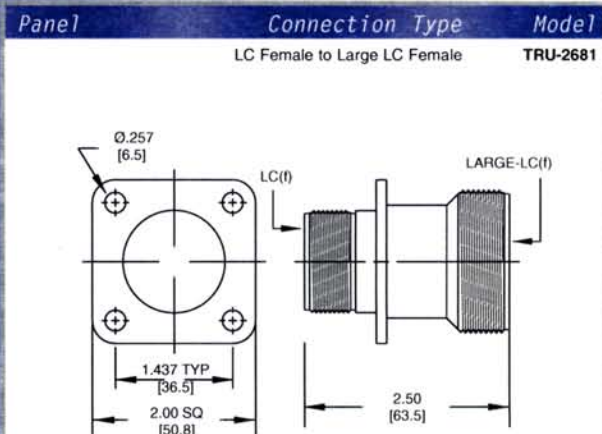
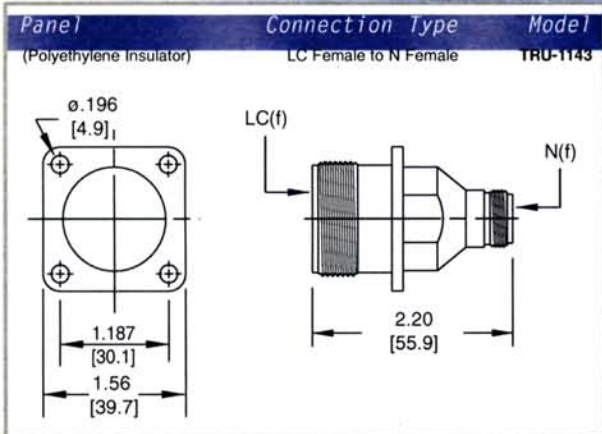
<i>Right Angle</i>	<i>Connection Type</i>	<i>Model</i>
(Polyethylene Insulator)	Female to Male Female to Male	TRU-5555 TRU-4004



Custom Design Center

Visit [trucorporation.com](http://trucorporation.com) to use our state of the art, step-by-step application that will allow you to quickly identify your connector and/or cable assembly requirements and submit them directly to our sales and technical staff for price and delivery.





- Also Available**
- LC female to 7-16 female TRU-8556
  - LC male to 7-16 female TRU-8557
  - LC female to 7-16 male TRU-8558
  - LC male to 7-16 male TRU-8559





Straight to Straight Cable Assembly	Cable Type	Connections	Model
	RG-218/U	LC male to LC male	<b>TRU-6617-XX</b>
	RG-393/U	LC male to LC male	<b>TRU-8052-XX</b>

Right Angle to Straight Cable Assembly	Cable Type	Connections	Model
	RG-218/U	LC R/A Male to LC Male	<b>TRU-8248-XX</b>
	RG-393/U	LC R/A Male to LC Male	<b>TRU-8547-XX</b>

Right Angle to Right Angle Cable Assembly	Cable Type	Connections	Model
	RG-218/U	LC R/A Male to LC R/A Male	<b>TRU-8533-XX</b>
	RG-393/U	LC R/A Male to LC R/A Male	<b>TRU-8281-XX</b>

Cap and Chain	Model
	Cap (Male) <b>TRU-0334-XX</b>

Cap and Chain	Model
	Cap (Female) <b>TRU-0369-XX</b>