

TRU Corporation offers SC Series connectors that are similar to C series bayonet types, but are threaded to provide a more solid coupling. Originally designed for use with aircraft avionics, these connectors are ideal for other equipment requiring a high tolerance for vibration. Our capabilities include a full range of plugs, jacks, receptacles, adapters and custom engineered solutions. These connectors are compatible with cable from 1/4 to 5/8 -inch diameter. For 1000 to 4000 volt/50 ohm systems. Mounting styles include: on cable, single hole, and square plate. These connectors meet MIL-C-39012 and MIL-STD-348.

For leading-edge engineering and custom product designs, look to TRU. Since 1951, we have been providing our customers with quality and cost effective solutions for all of their interconnect applications. We maintain the highest quality standards and manufacture all our products at our modern facility located in Peabody, Massachusetts. Contact your Customer Service Representative today or visit www.trucorporation.com to see why we are "The Custom Interconnect Leader".

Please note that the products displayed are only a sampling of our designs.

ELECTRICAL

Nominal Impedance: 50 ohms
 Frequency Range: DC to 11 GHz
 Voltage Rating: 1,000 volts rms
 Dielectric Withstanding Voltage: 3,000 volts rms
 Insulation Resistance: 5,000 megohms
 VSWR: 1.35 max DC-11GHz

MECHANICAL

Mating Characteristics: per MIL-STD-348
 Connector Durability: 500 cycles min.
 Cable Attachment: Clamp

ENVIRONMENTAL

Temperature Range: -85°F to +329°F
 (-65°C to +165°C)
 Vibration: MIL-STD-202 Method 204 (Test Cond. B)
 MIL-STD-202 Method 213 (Test Cond. I)
 Shock: MIL-STD-202 Method 106
 MIL-STD-202 Method 101 (Test Cond.B)
 Moisture Resistance: MIL-STD-202 Method 106
 Corrosion (salt spray): MIL-STD-202 Method 101 (Test Cond.B)

MATERIAL / FINISHES

Body: Brass, Silver or Nickel Plated
 Contacts (Inner):
 Female Beryllium Copper, Silver or Gold Plated
 Male Brass, Silver or Gold Plated
 Contacts (Outer): Brass, Silver or Nickel Plated
 Beryllium, Silver or Nickel
 Contacts (Slotted): Plated
 Insulators: Teflon
 Gaskets & Seals: Silicone Rubber

Features listed are typical and may vary depending upon cable selection and application.

Please note that bold model numbers represent the product as shown.

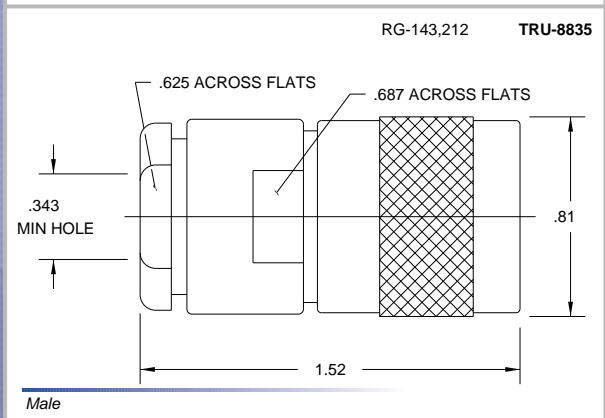
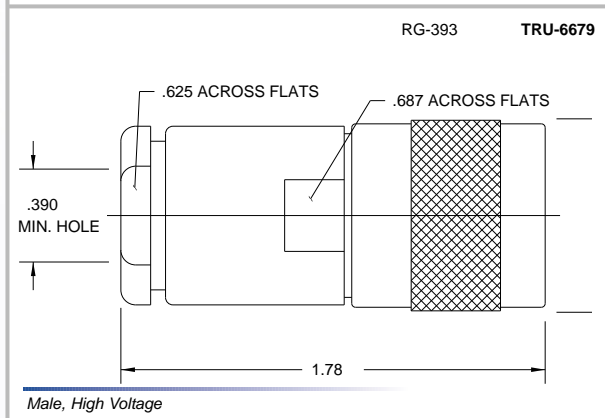
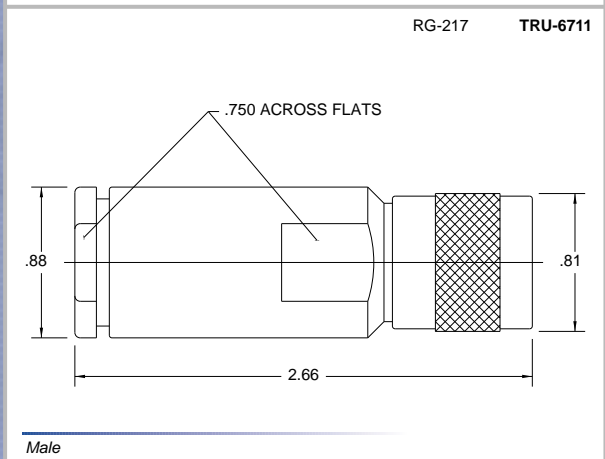
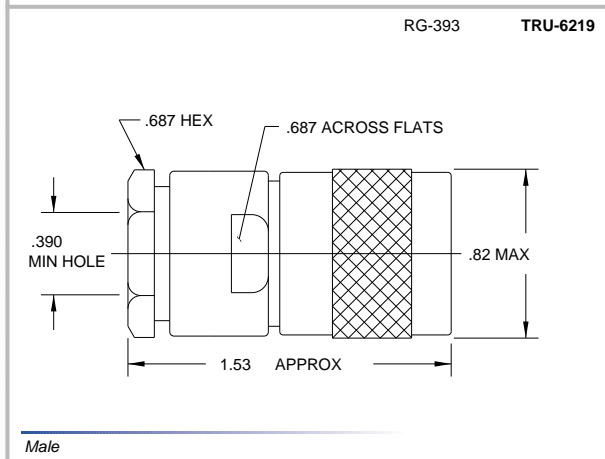
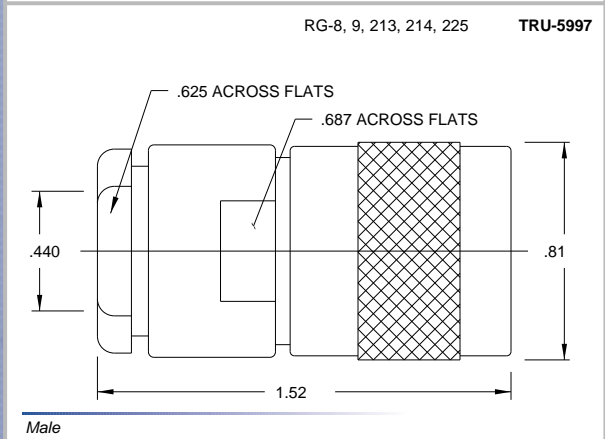
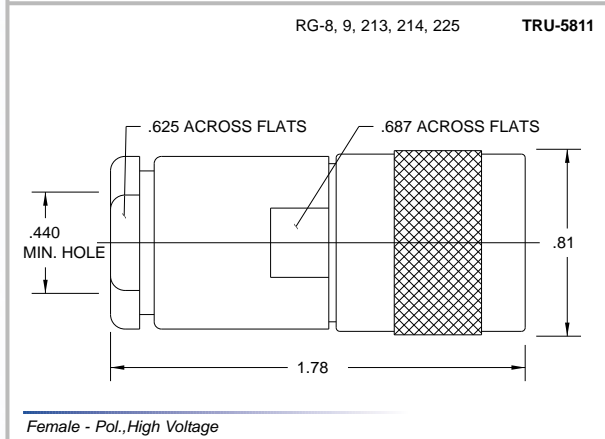
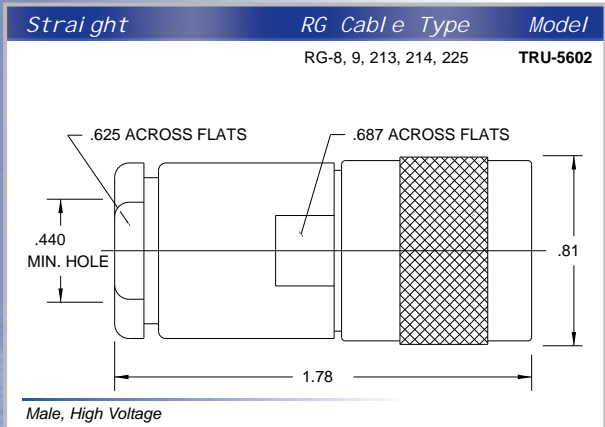
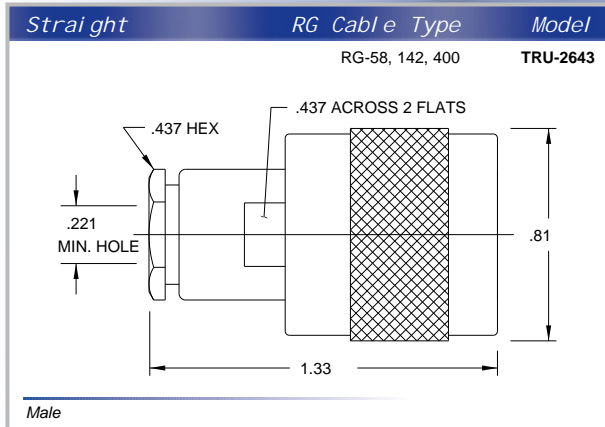
Custom connectors can be manufactured to your own specifications.



Build Your Own Connector at www.trucorporation.com

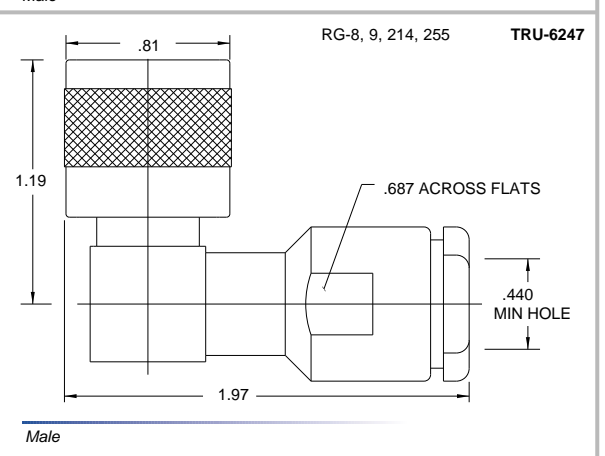
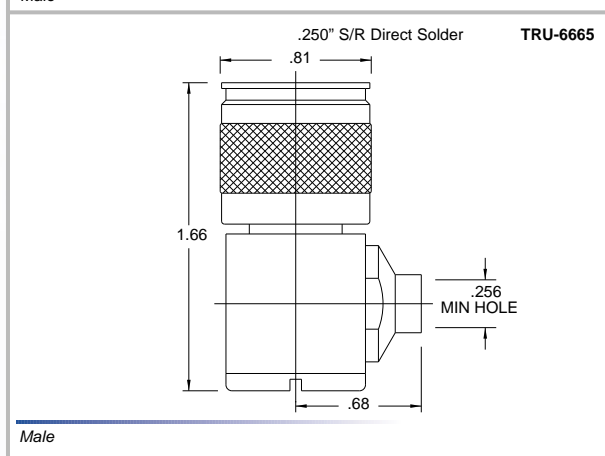
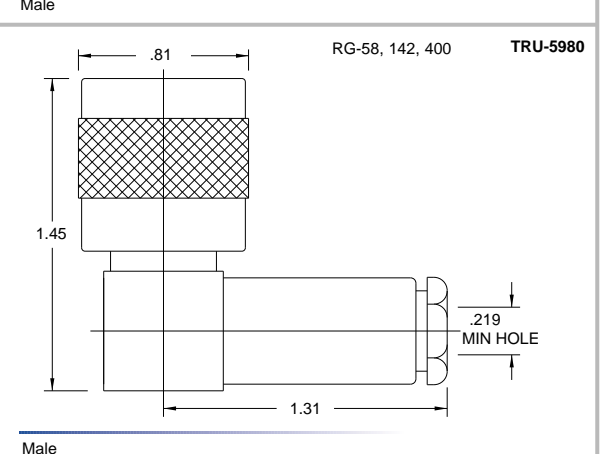
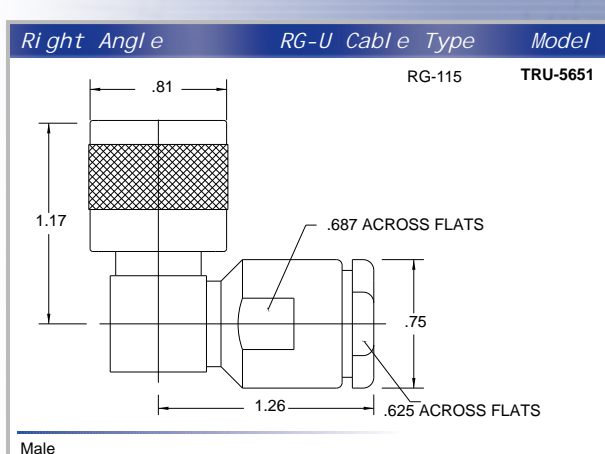
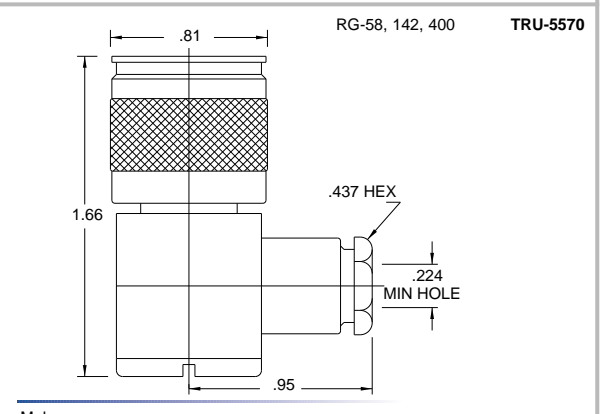
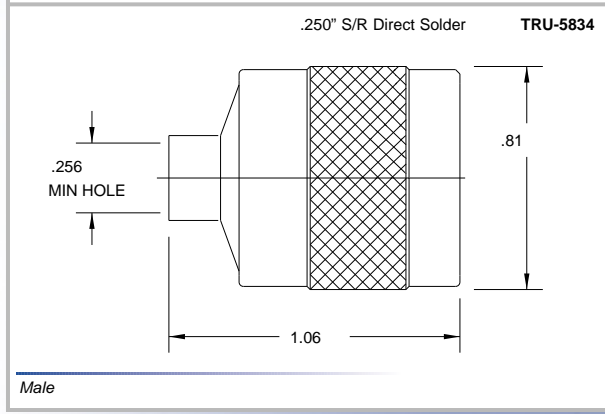
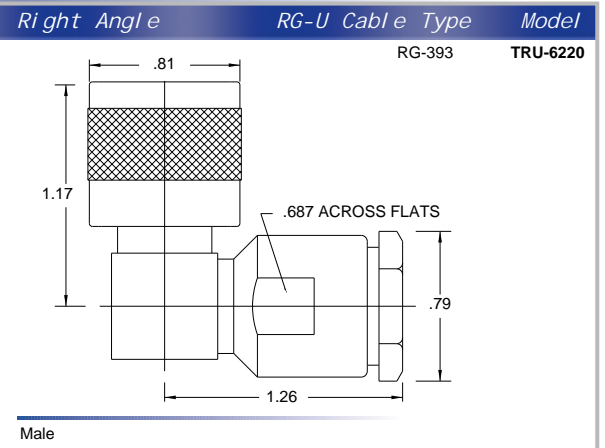
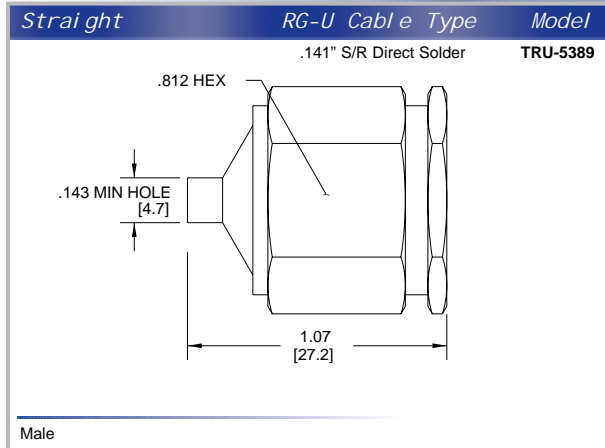


The Custom Interconnect Leader



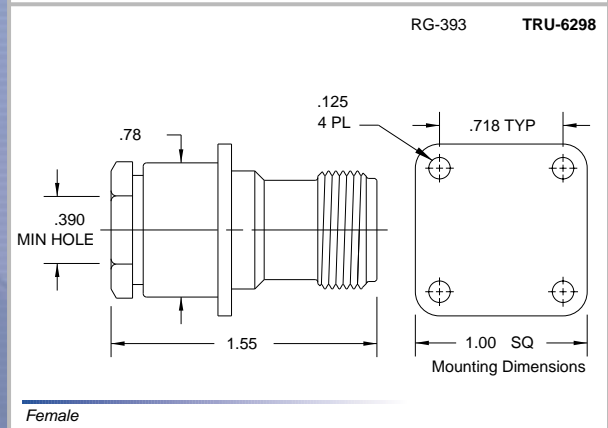
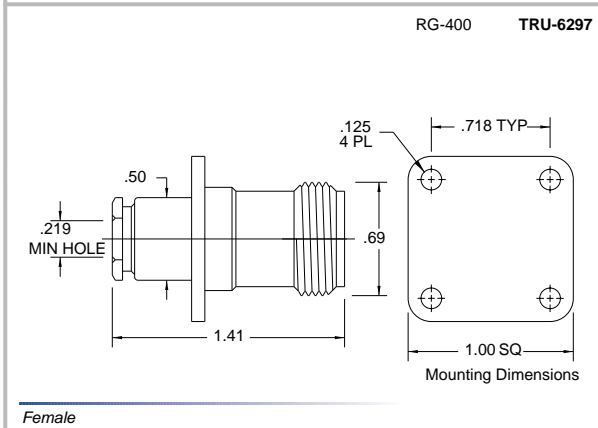
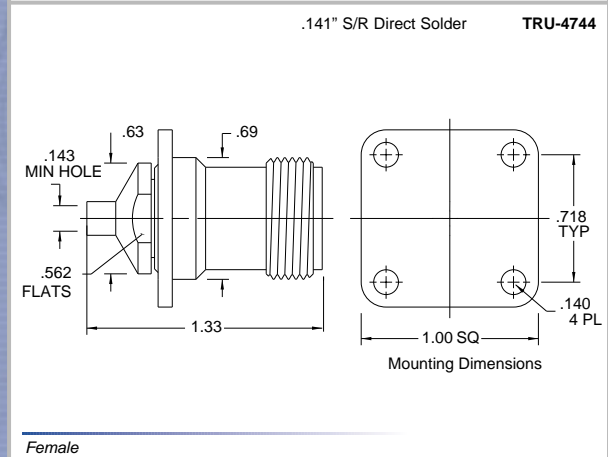
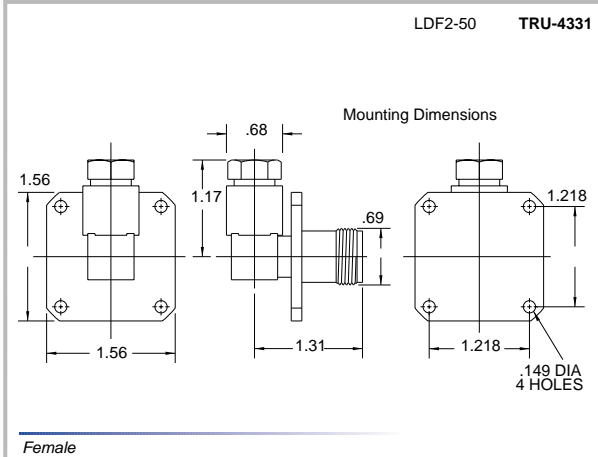
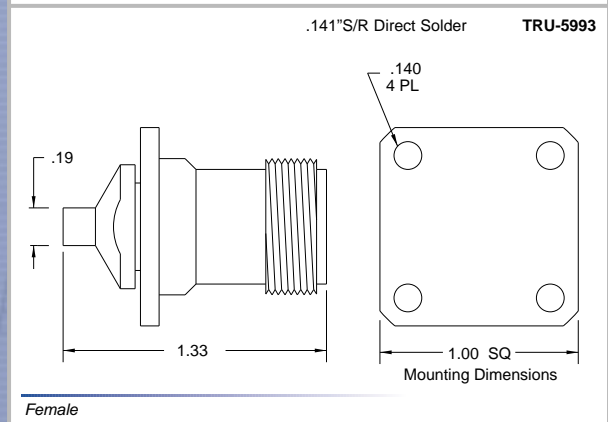
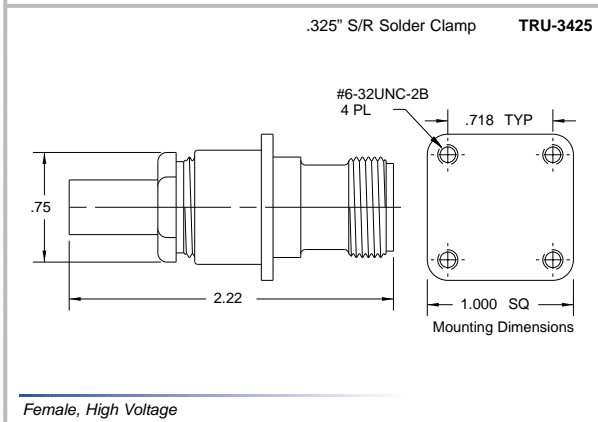
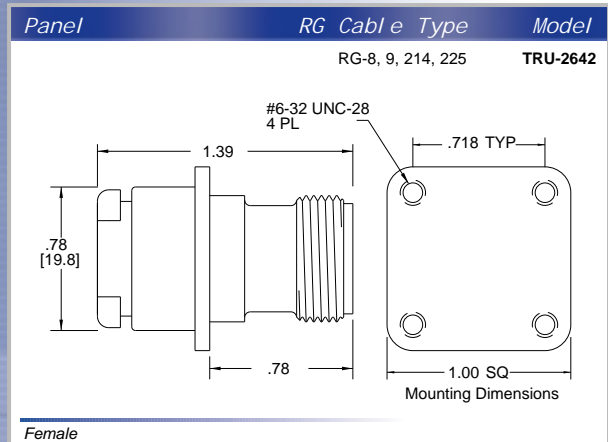
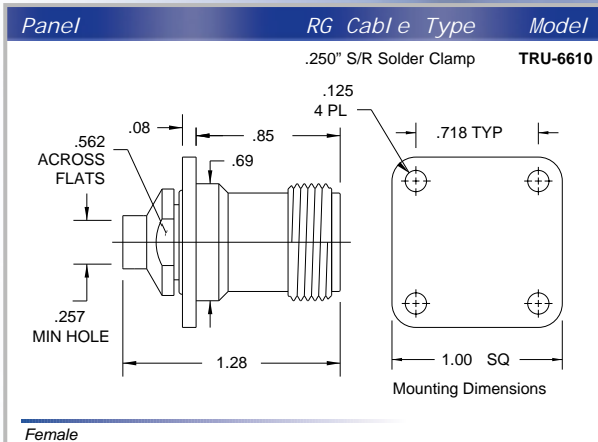


The Custom Interconnect Leader



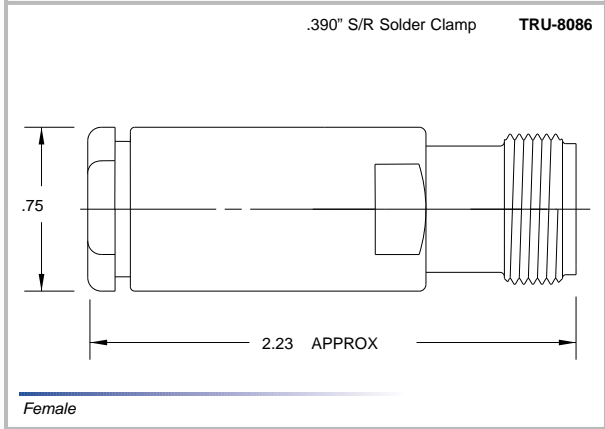
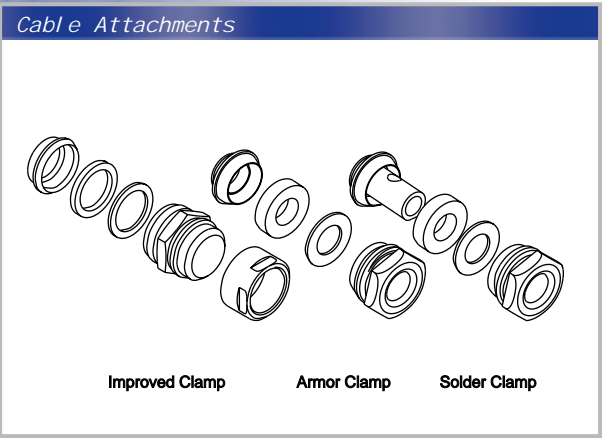
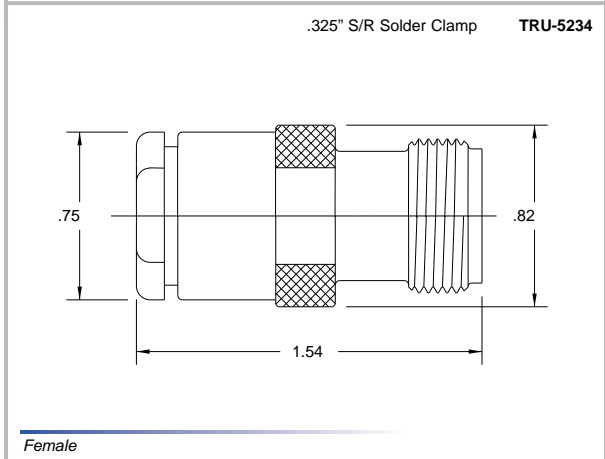
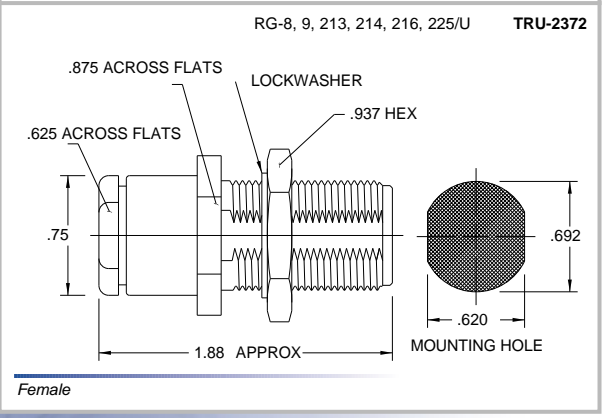
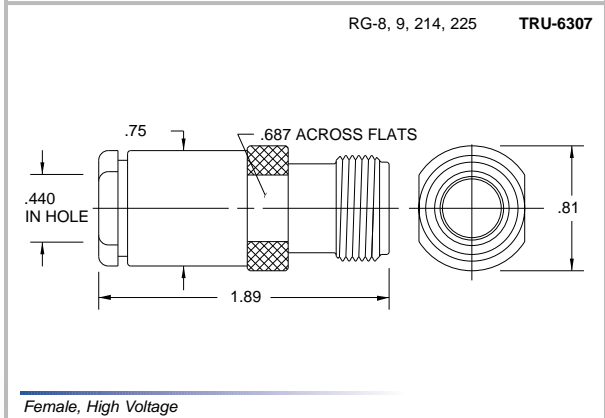
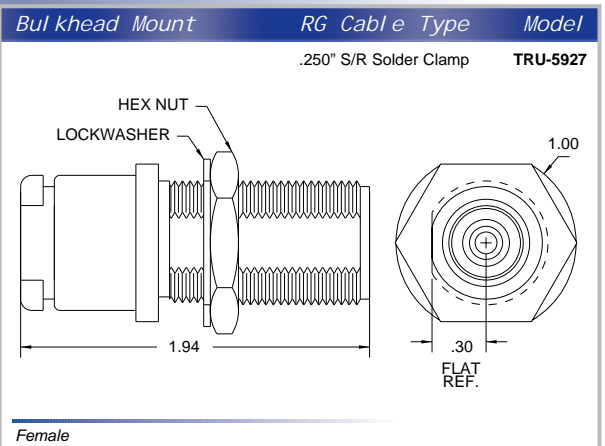
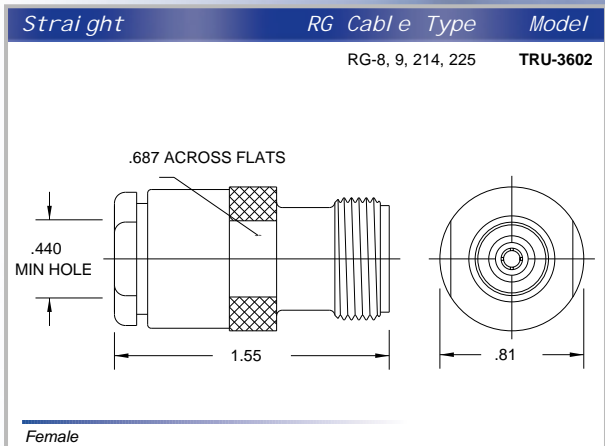


The Custom Interconnect Leader





The Custom Interconnect Leader

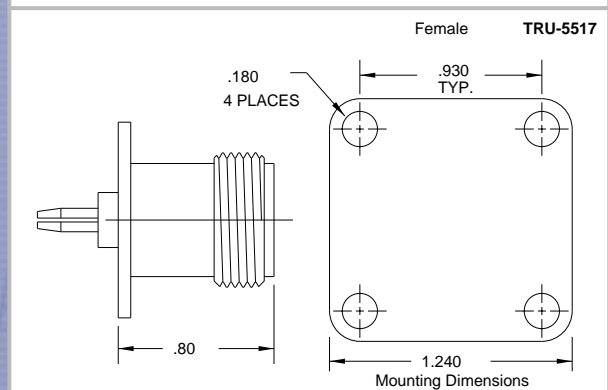
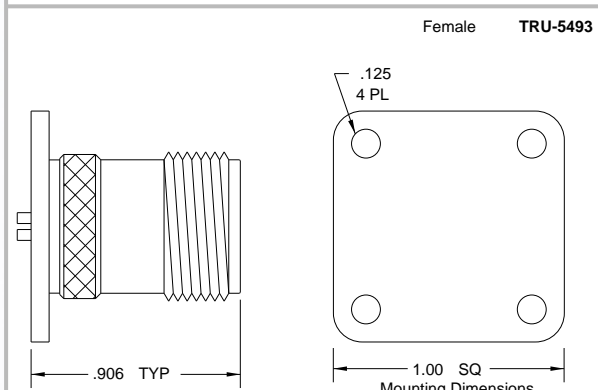
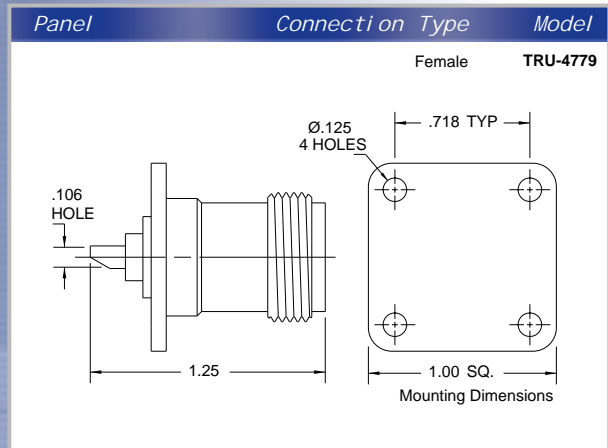
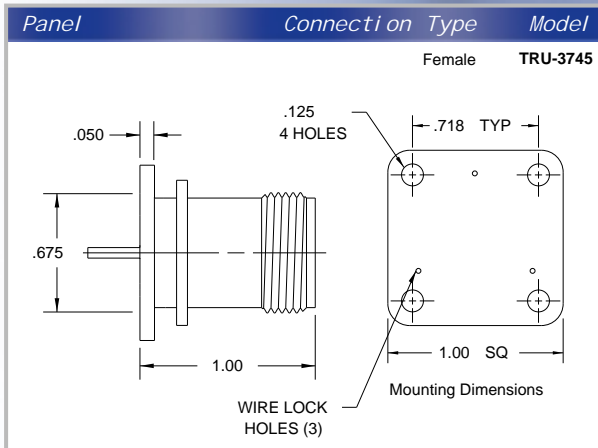


Custom Design Center

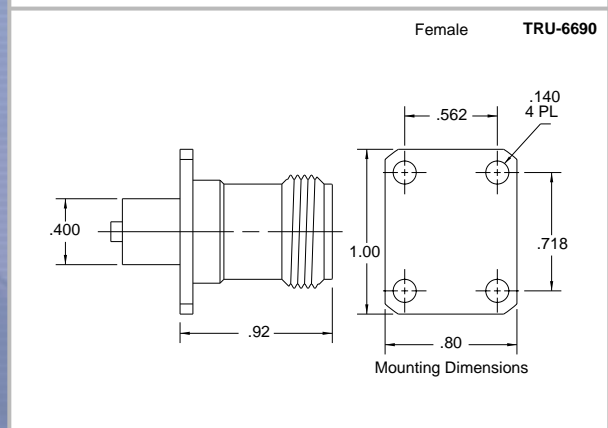
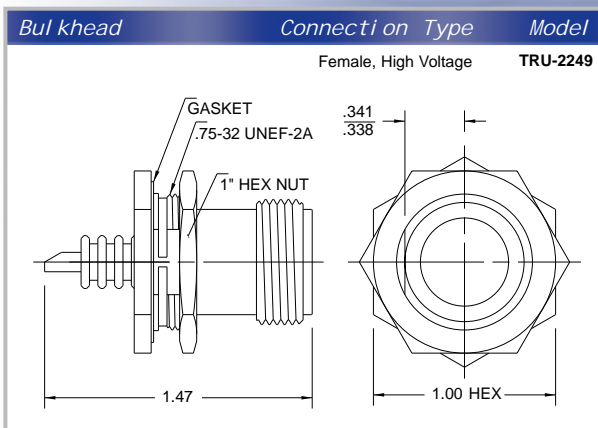
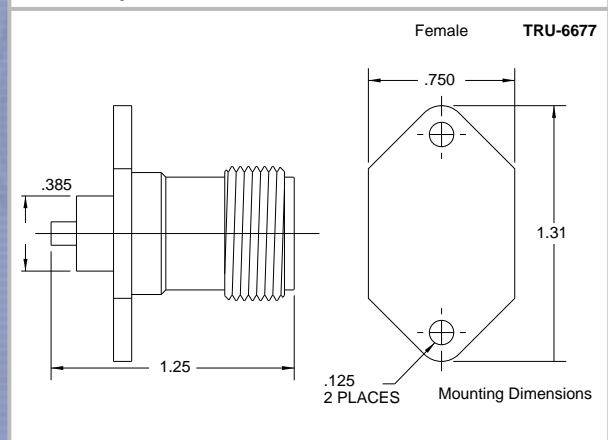
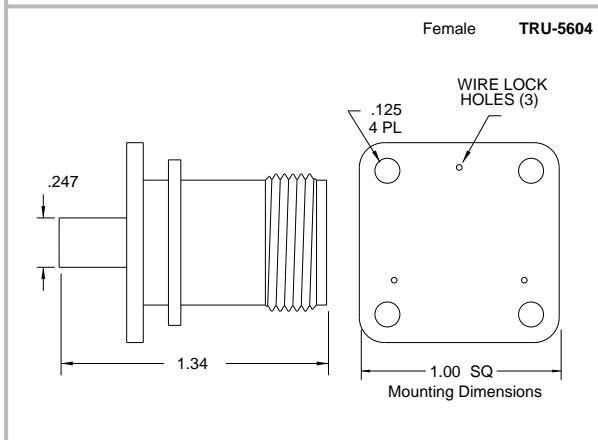
Visit trucorporation.com to use our state of the art, step by step application that will allow you to quickly identify your connector and/or cable assembly requirements and submit them directly to our sales and technical staff for price and delivery.



The Custom Interconnect Leader

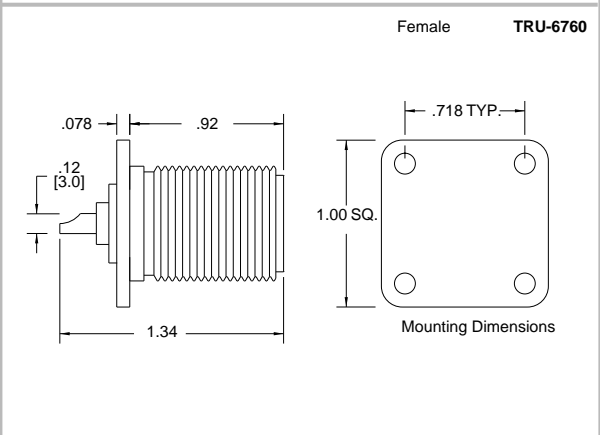
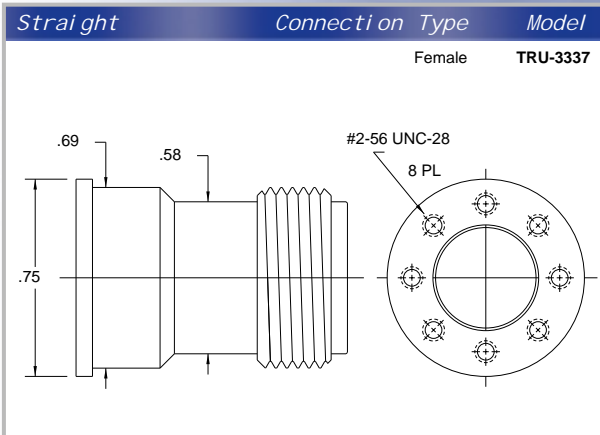
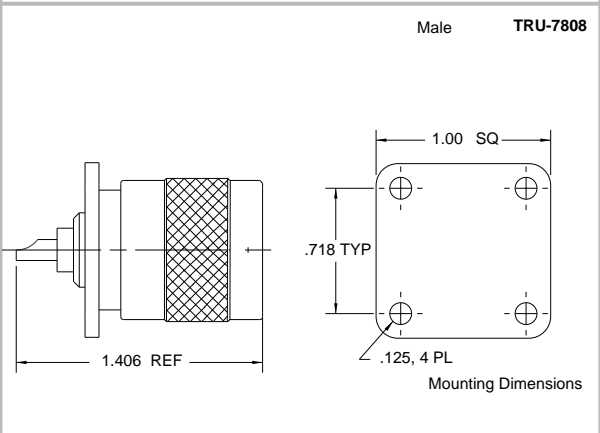
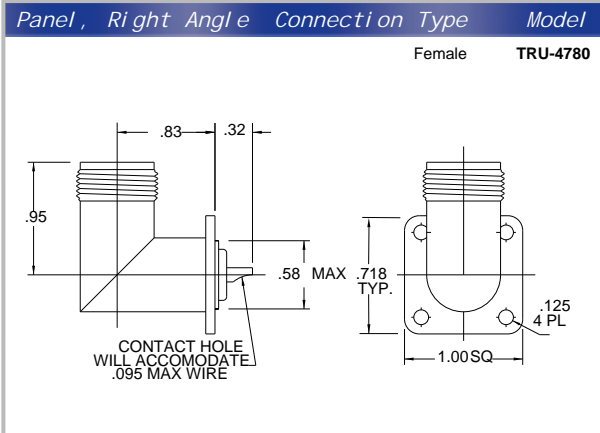
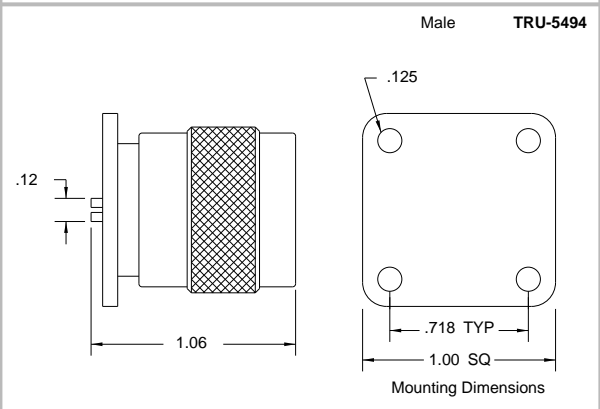
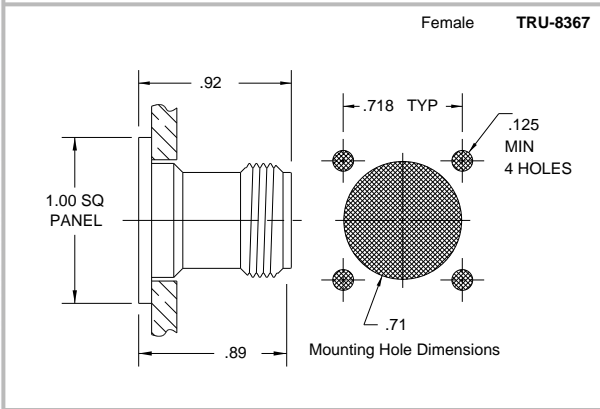
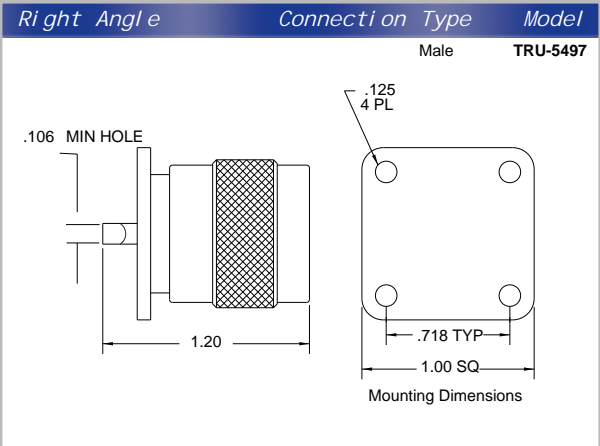
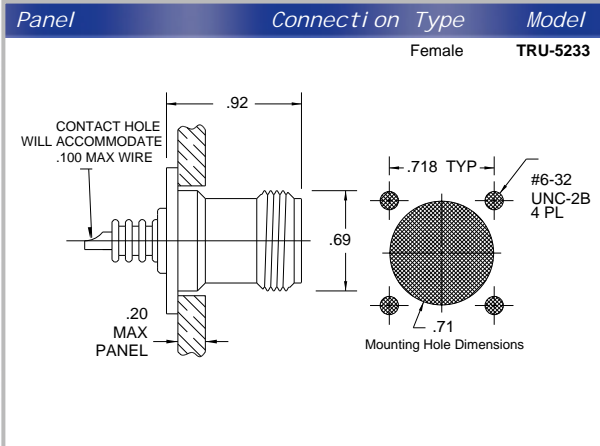


Quick Change w/ 1" Panel TRU-5518



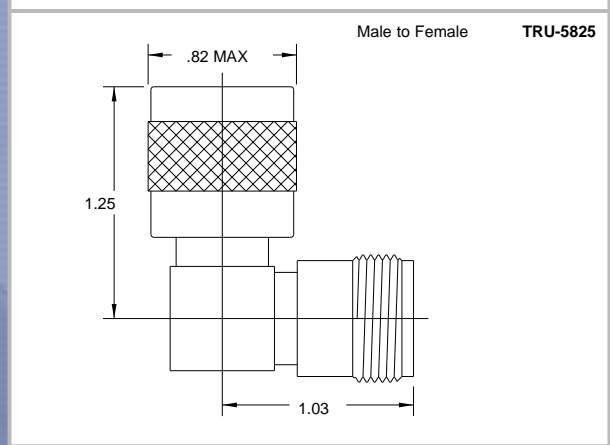
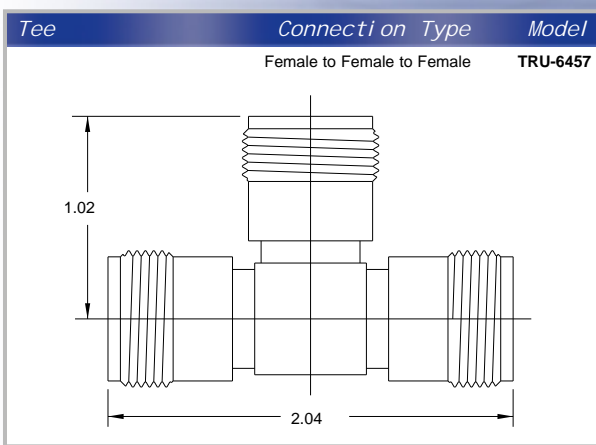
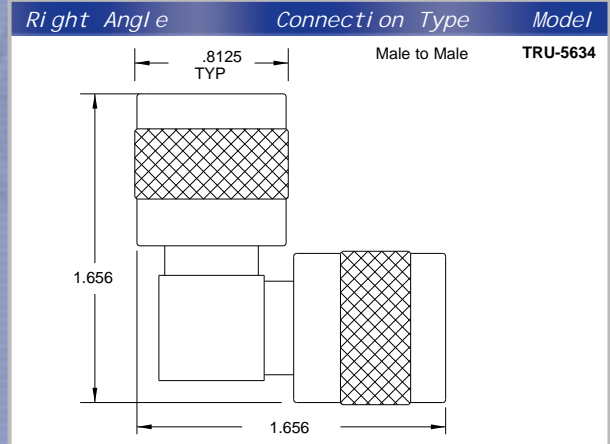
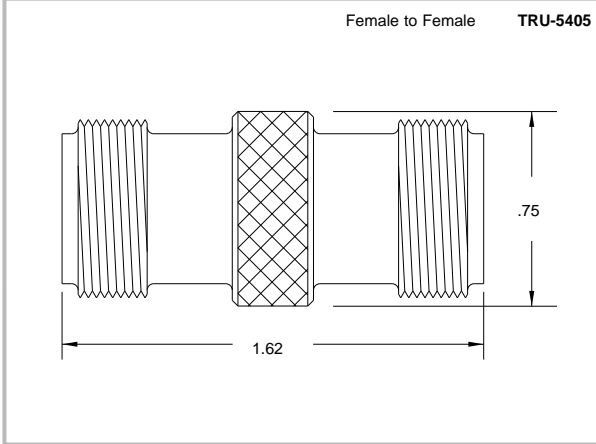
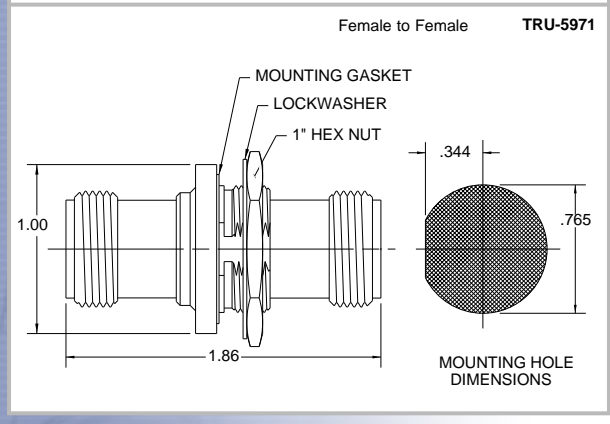
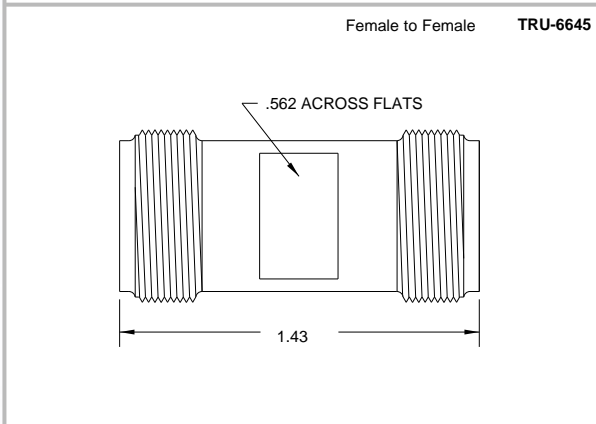
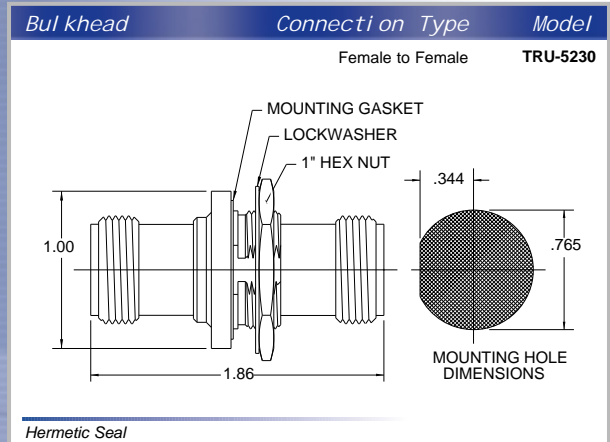
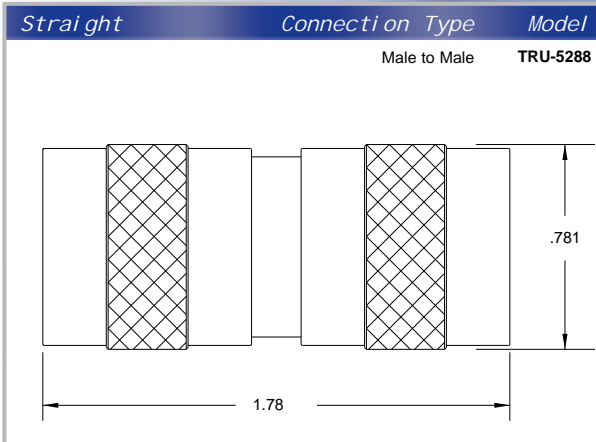


The Custom Interconnect Leader





The Custom Interconnect Leader





The Custom Interconnect Leader

| Straight | Connection Type | Model |
|----------|-----------------------|----------|
| | SC Male to N Female | TRU-4354 |
| | | |
| | SC Male to TNC Female | TRU-5619 |
| | | |
| | SC Male to N Female | TRU-6110 |
| | | |
| | SC Female to N Female | TRU-4435 |
| | | |

| Straight | Connection Type | Model |
|----------|----------------------|----------|
| | SC Male to N Male | TRU-5240 |
| | | |
| | SC Male to C Female | TRU-5967 |
| | | |
| | SC Male to N Female | TRU-6475 |
| | | |
| | SC Female to LC Male | TRU-5237 |
| | | |

